

VENTURA

EN

Instructions for Installation of Ventura-sauna interior

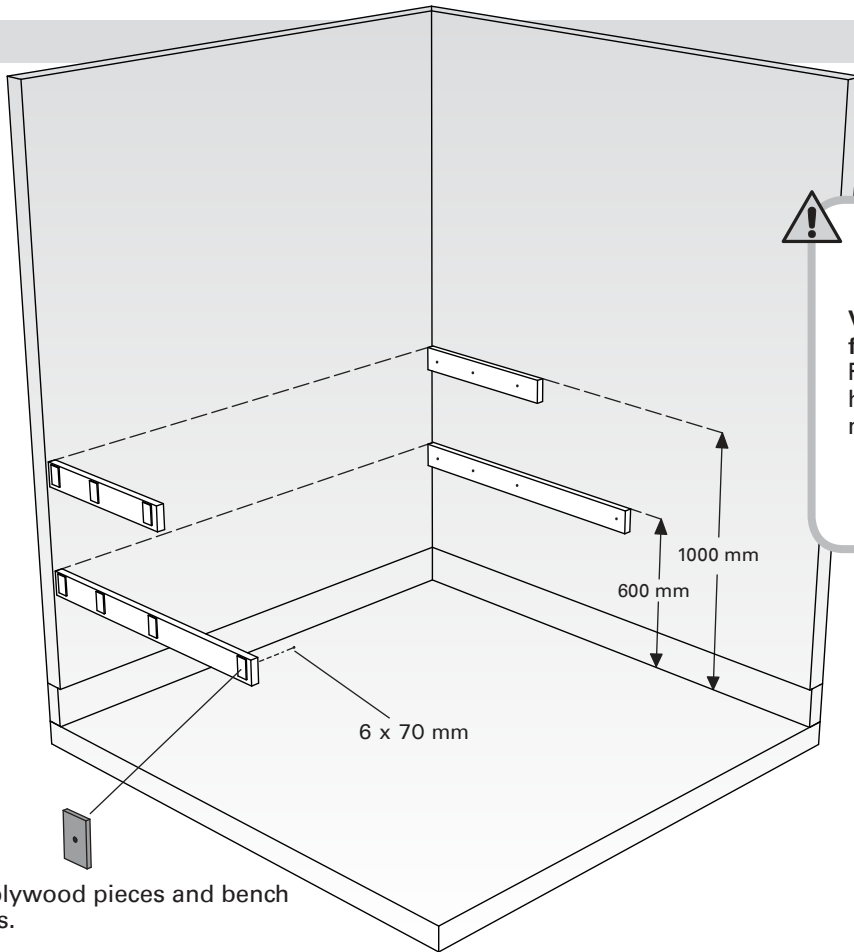
- Read also *general instructions of installation*
- Verify bench height from your sauna plan. Regular bench heights have been used in this manual.



VENTURA

Installation of straight benches

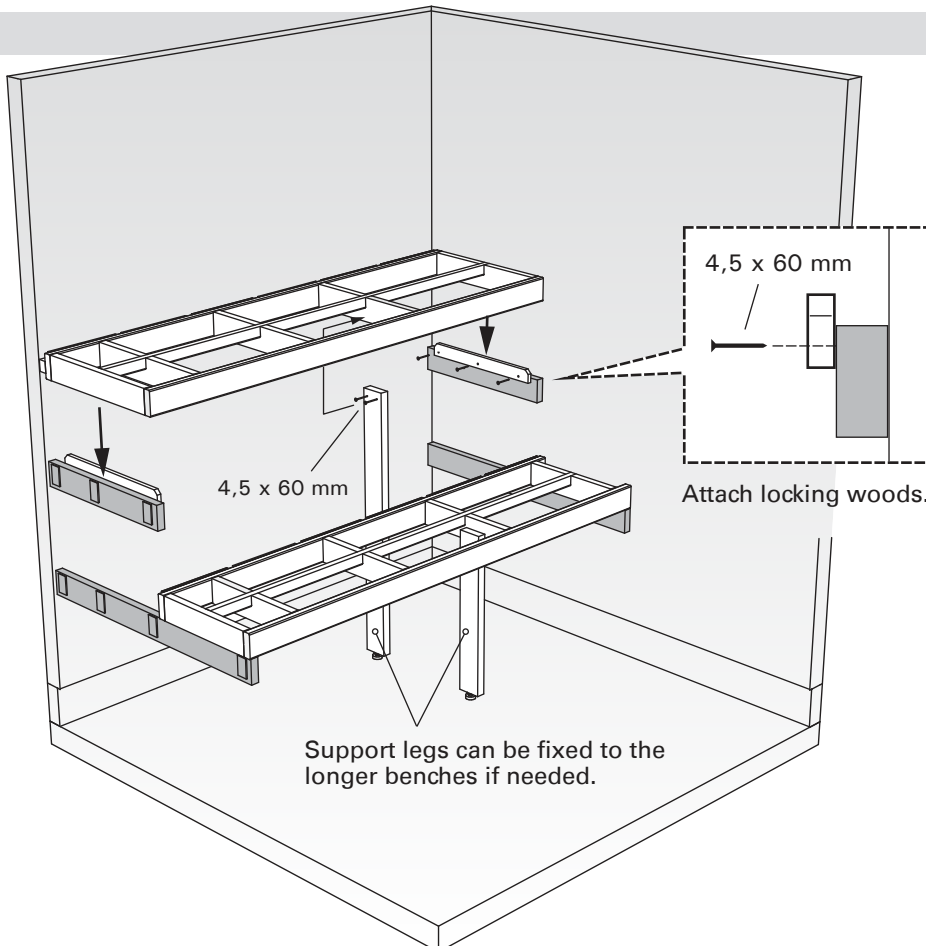
1.



Verify bench height from your sauna plan. Regular bench heights have been used in this manual.

Attach plywood pieces and bench supports.

2.



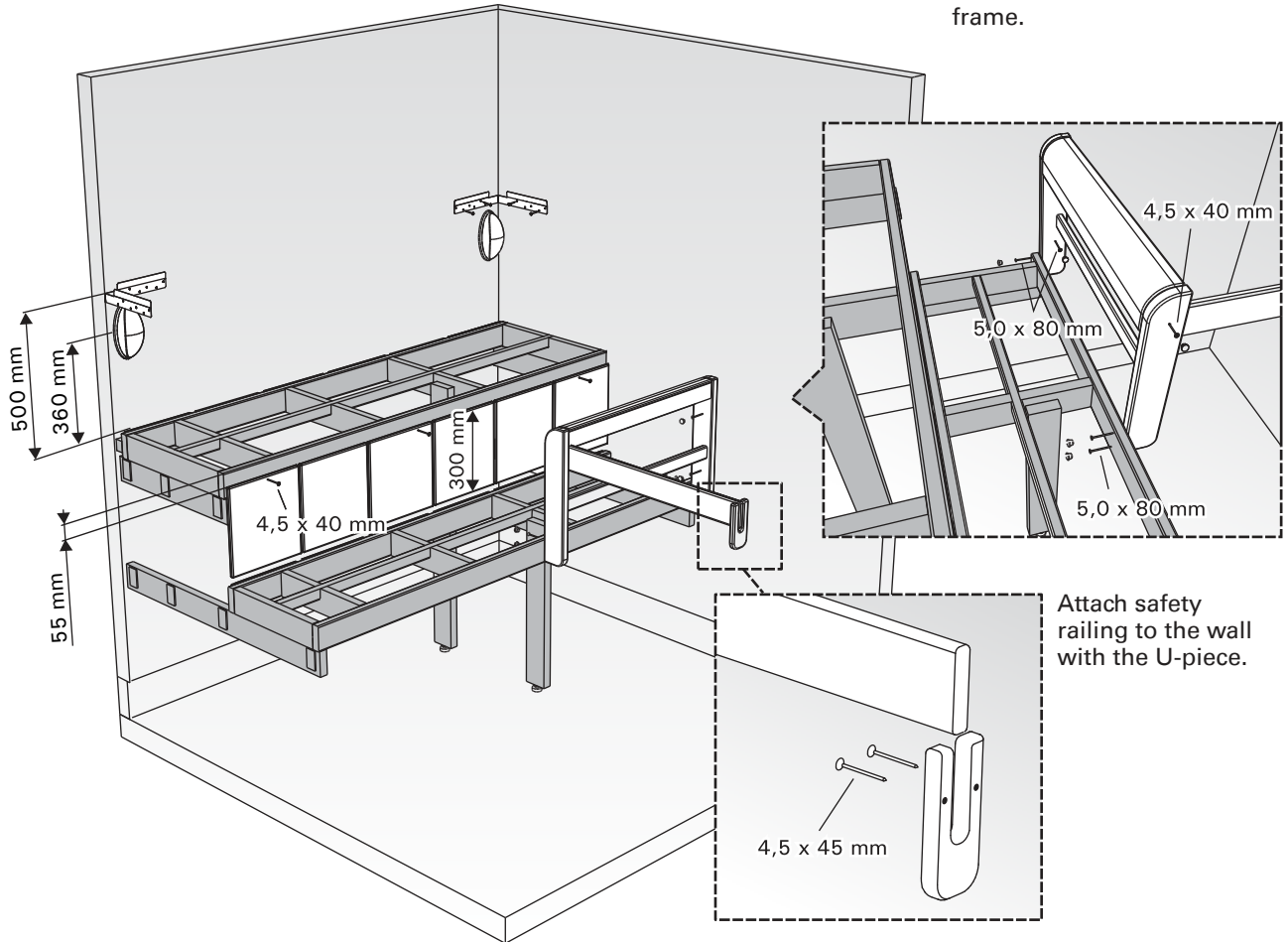
Attach locking woods.

Support legs can be fixed to the longer benches if needed.

3.

Attach sheet metal brackets for the lamp shades.

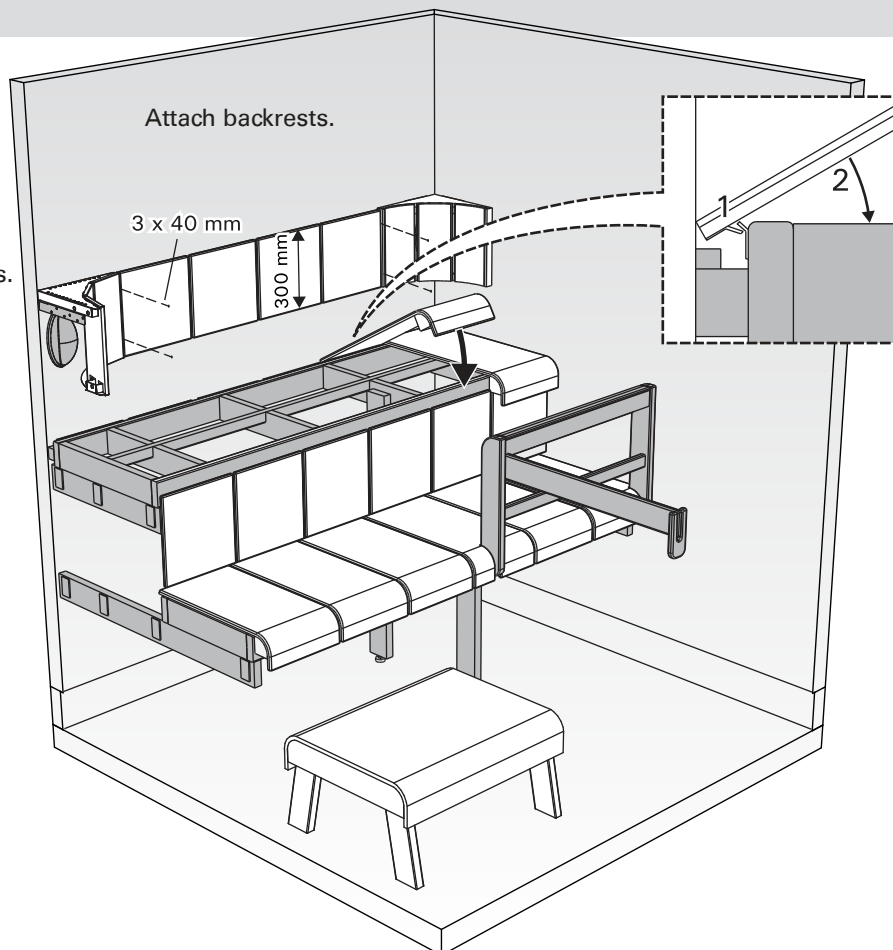
Attach footrest to the bench frame.



4.

Lift shades to the sheet metal brackets.

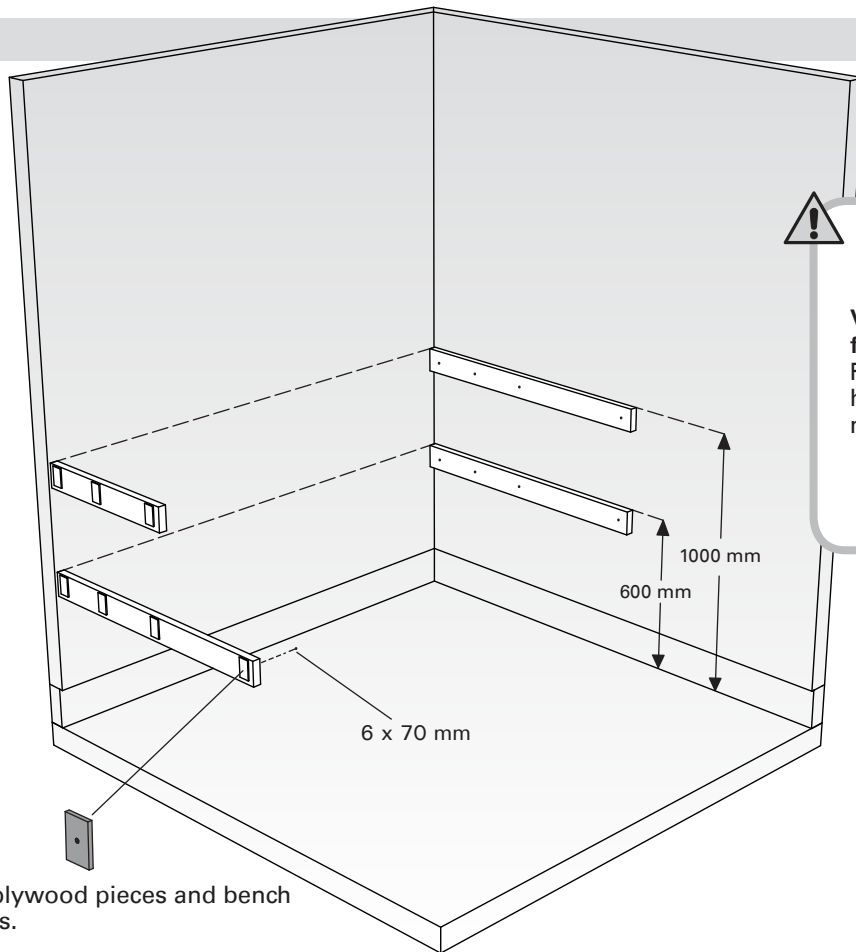
Attach backrests.



VENTURA

Installation of the end support benches

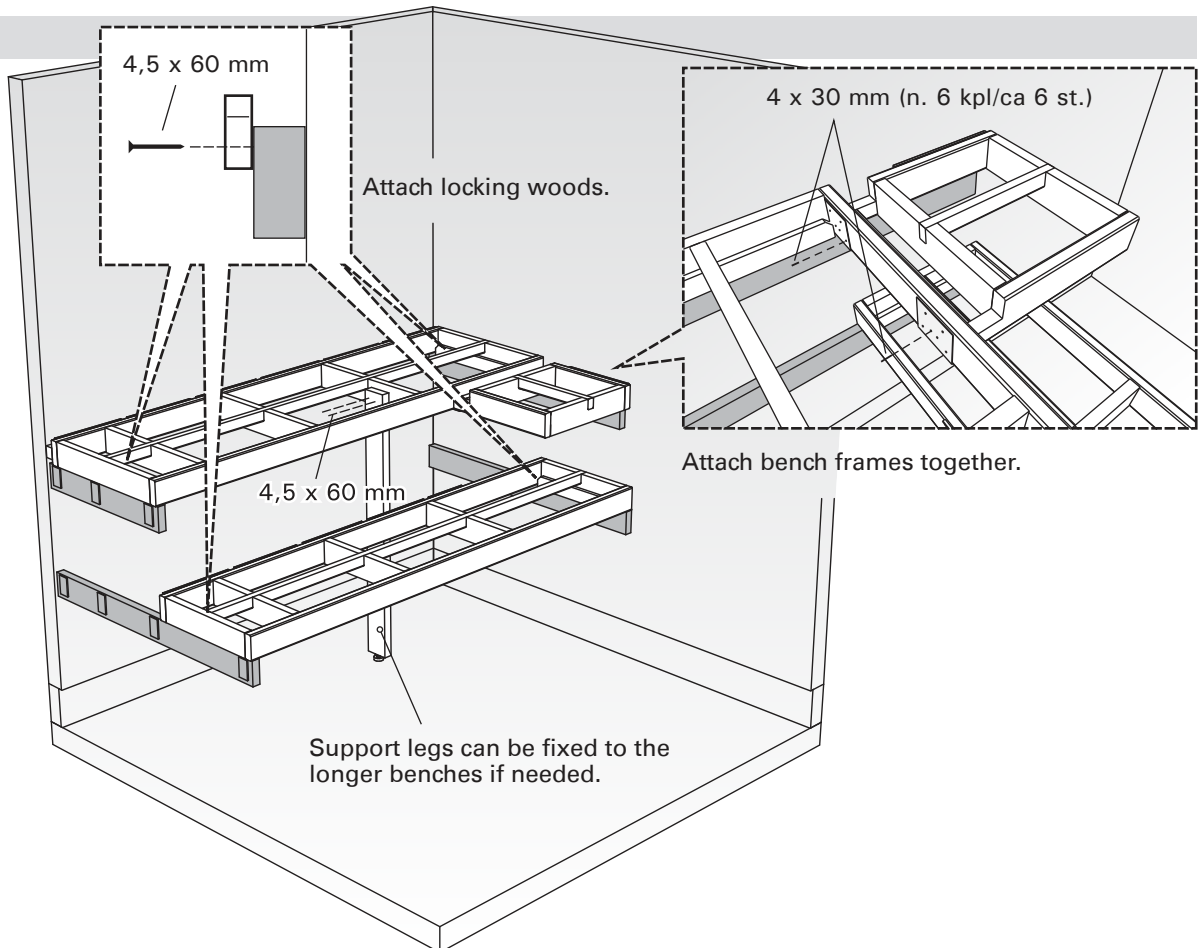
1.



Verify bench height from your sauna plan. Regular bench heights have been used in this manual.

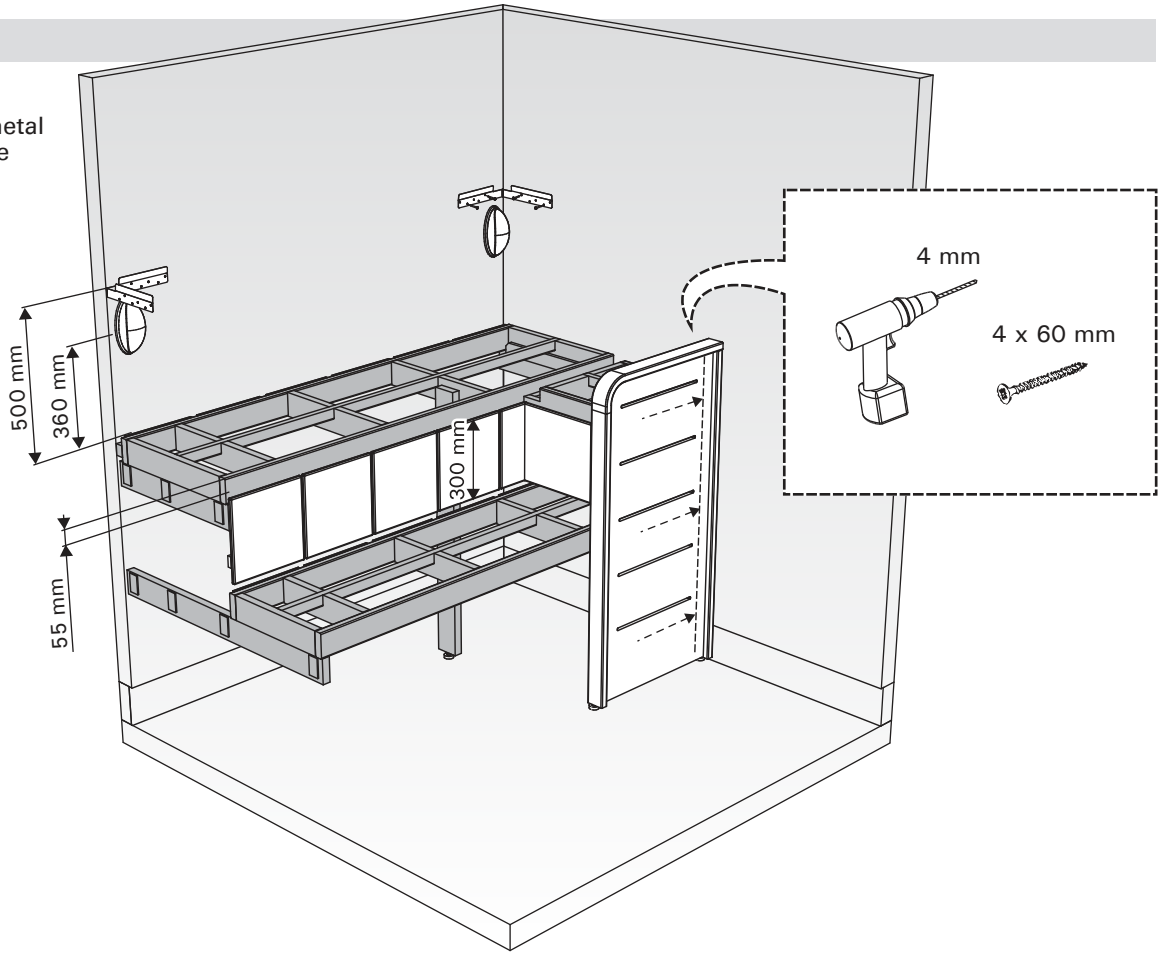
Attach plywood pieces and bench supports.

2.



3.

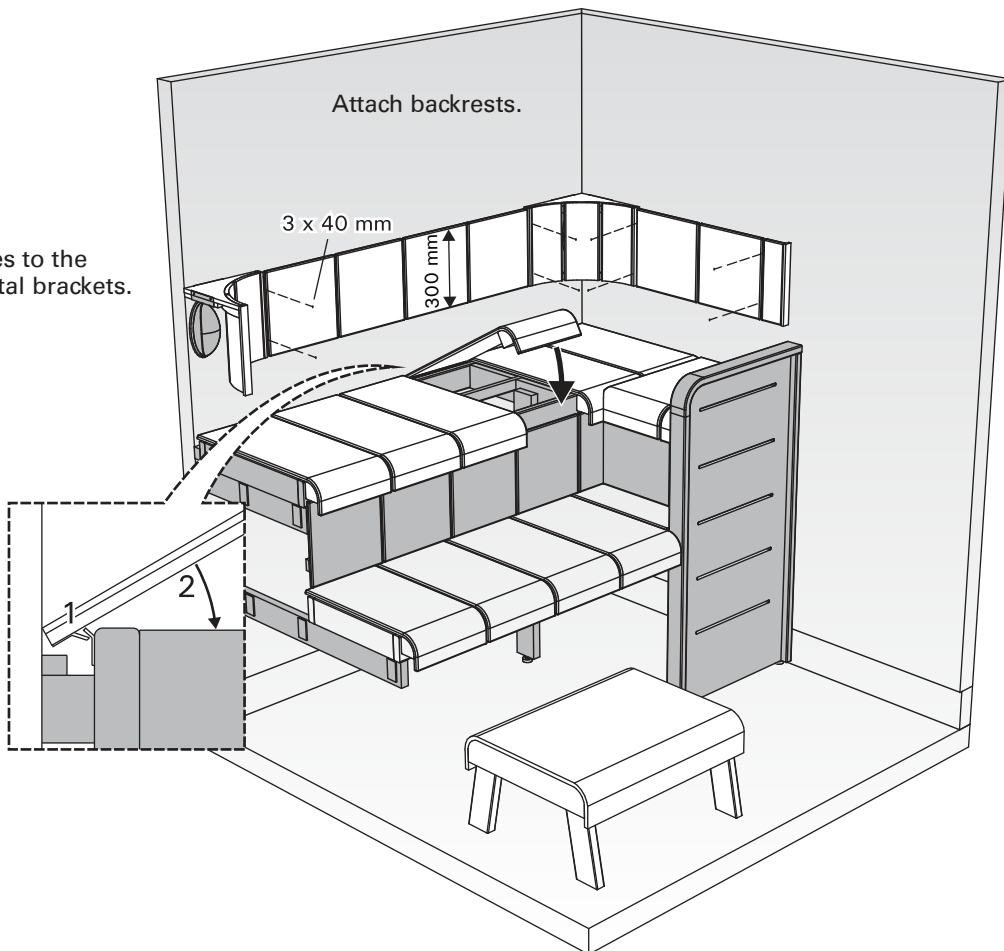
Attach sheet metal brackets for the lamp shades.



4.

Attach backrests.

Lift shades to the sheet metal brackets.



HARVIA

Harvia Sauna
PL38
40951 Muurame
Finland
www.harviasauna.com