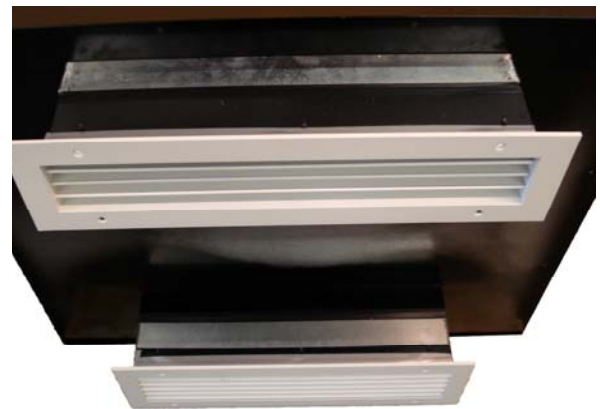
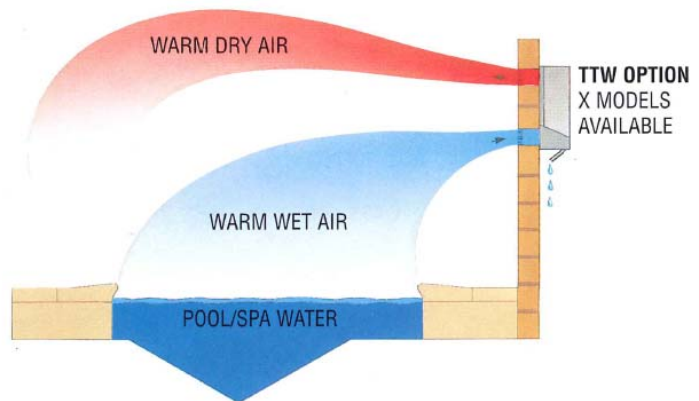


**Calorex affugter. Væggennemføringsmodel. TTW  
Med indbygget styring og hygrostat.  
Model 34-183330. 30L/døgn  
Model 34-185560. 60L/døgn**



## Through the wall

Where there is a preference to place the dehumidifier in an adjacent plant room, the Calorex 33 and 55 are available in a TTW variant. Supplied with full wall brackets and decorative grills for the air ducts, the TTW is a useful option for confined spaces or particular aesthetic demands.



### Teknisk data.

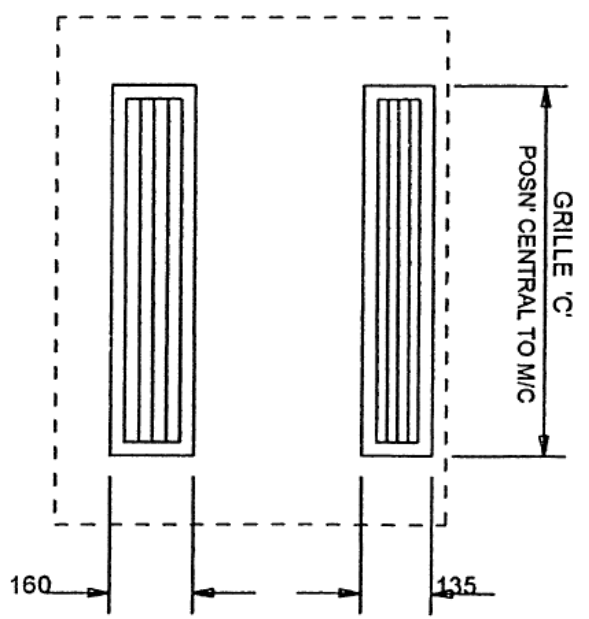
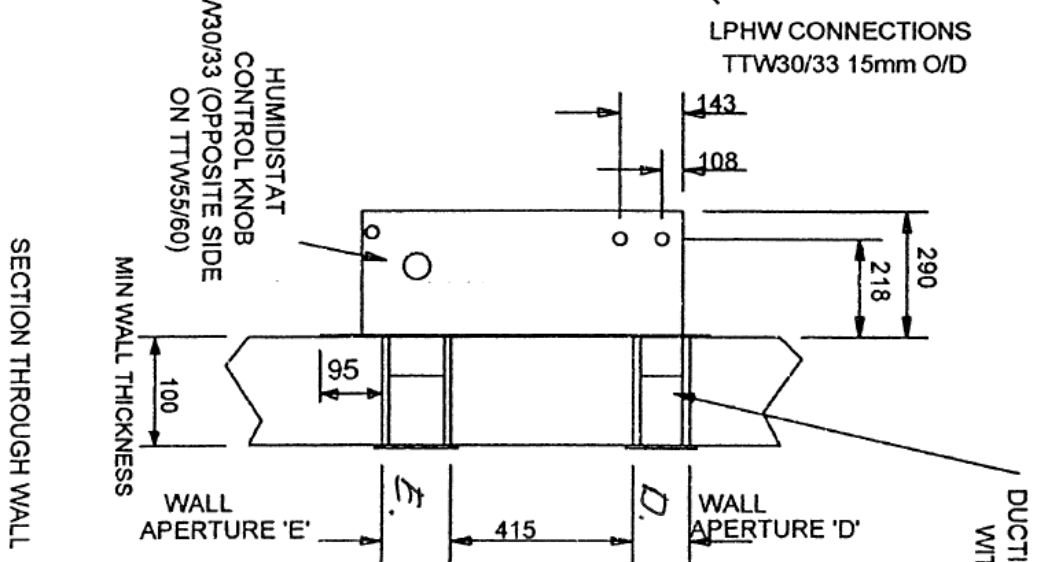
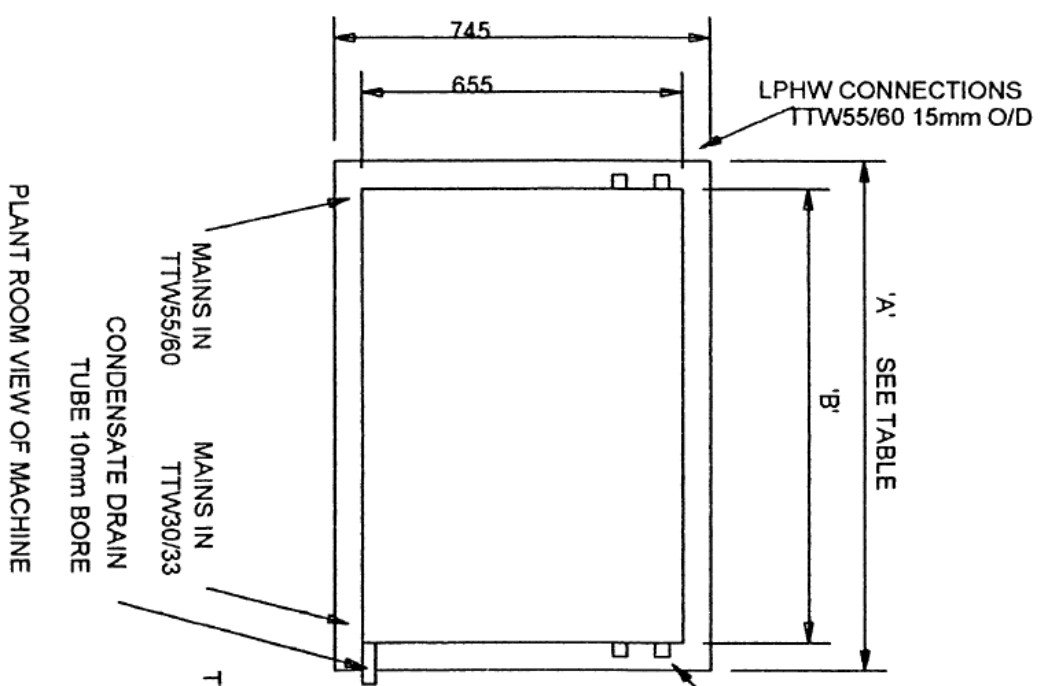
X

X

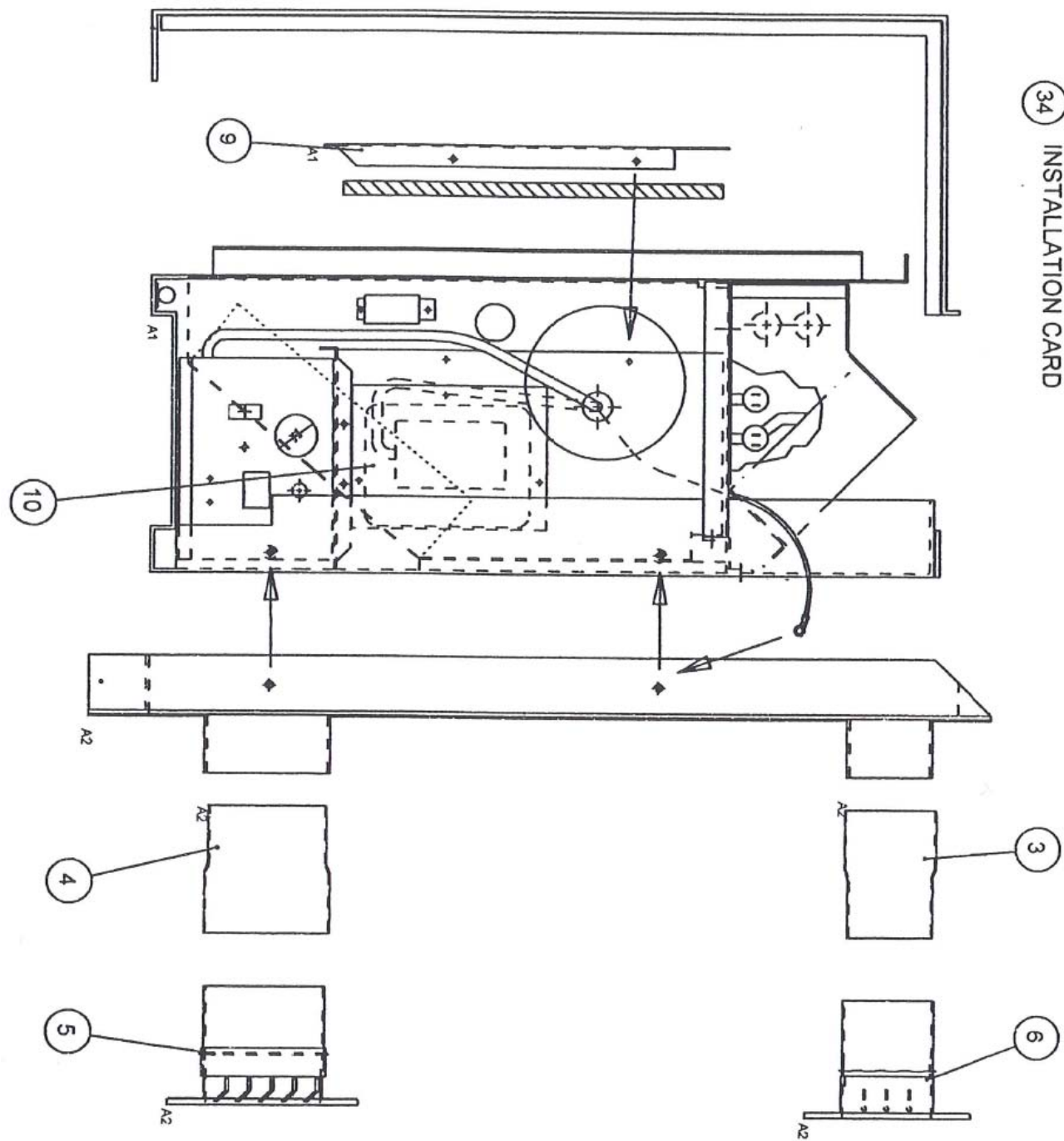
MODEL		DH33A	DH33AX	DH33ARH	DH55A	DH55AX	DH55ARH
DEHUMIDIFICATION	L/hr	1.25	1.25	1.25	2.5	2.5	2.5
	L/day	30.0	30.0	30.0	60.0	60.0	60.0
TOTAL HEAT TO AIR :-							
DEHUMIDIFIER ONLY .	kW	1.9	1.9	0.5	3.5	3.5	0.65
DEHUM' & LPHW .	kW	3.9	3.9	3.4	6.5	6.5	5.4
LPHW ONLY .	kW	3.0	3.0	3.0	5.0	5.0	5.0
TOTAL HEAT TO WATER .	kW	n/a	n/a	1.4	n/a	n/a	2.8
NOMINAL POWER CONSUMED:-							
FAN ONLY .	kW	0.05	0.05	0.05	0.11	0.11	0.11
DEHUM' (COMP & FAN) .	kW	0.75	0.75	0.75	1.2	1.2	1.2
SUPPLY		230v50hz	230v50hz	230v50hz	230v50hz	230v50hz	230v50hz
FUSE	AMP	10.0	10.0	10.0	13.0	13.0	13.0
NOMINAL RUNNING	AMP	3.4	3.4	3.4	5.6	5.6	5.6
FULL LOAD AMPS	AMP	4.4	4.4	4.4	7.5	7.5	7.5
COMPRESSOR L.R.A.	AMP	15.8	15.8	15.8	30.0	30.0	30.0
AIR FLOW	m³/h	440	440	440	740	740	740
NOISE LEVEL @ 3m	dB(A)	48	48	48	48	48	48
WATER FLOW RATE	L/min	n/a	n/a	10	n/a	n/a	14
PRESSURE DROP	m hd	n/a	n/a	1.6	n/a	n/a	1.5
LPHW FLOW RATE	L/min	5.0	5.0	5.0	5.0	5.0	5.0
LPHW PRESSURE DROP	m hd	1.1	1.1	1.1	1.8	1.8	1.8
REFRIGERANT CHARGE	Kg R22	0.57	0.45	1.04	0.76	0.76	1.64
WEIGHT (UNPACKED/PACKED)	Kg	40 / 50	40 / 50	45 / 55	60 / 75	60 / 75	65 / 80

LPHW er ekstra udstyr. Varmevexsler er indbygget i affugteren fra fabrikken.  
Varmevexsler kan ikke eftermonteres.

	'A'	'B'	'C'	'D' APERTURE	'E' APERTURE	PACKED DIMENSIONS O/A
TTW30/33	875	780	560	85 x 520	110 x 520	935 L x 460 B x 900 H
TTW55/60	1300	1210	1020	85 x 980	110 x 980	1330 L x 460 B x 900 H

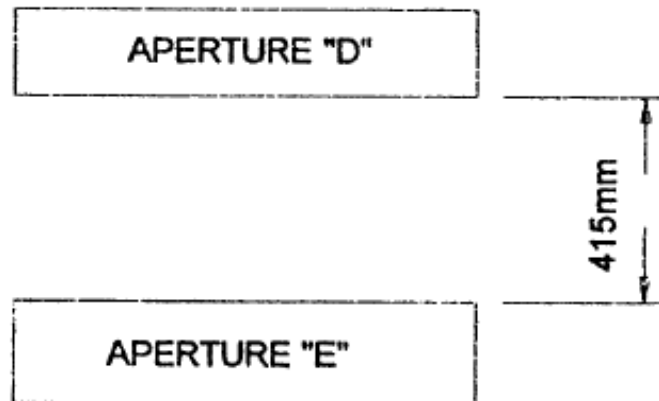


34 INSTALLATION CARD

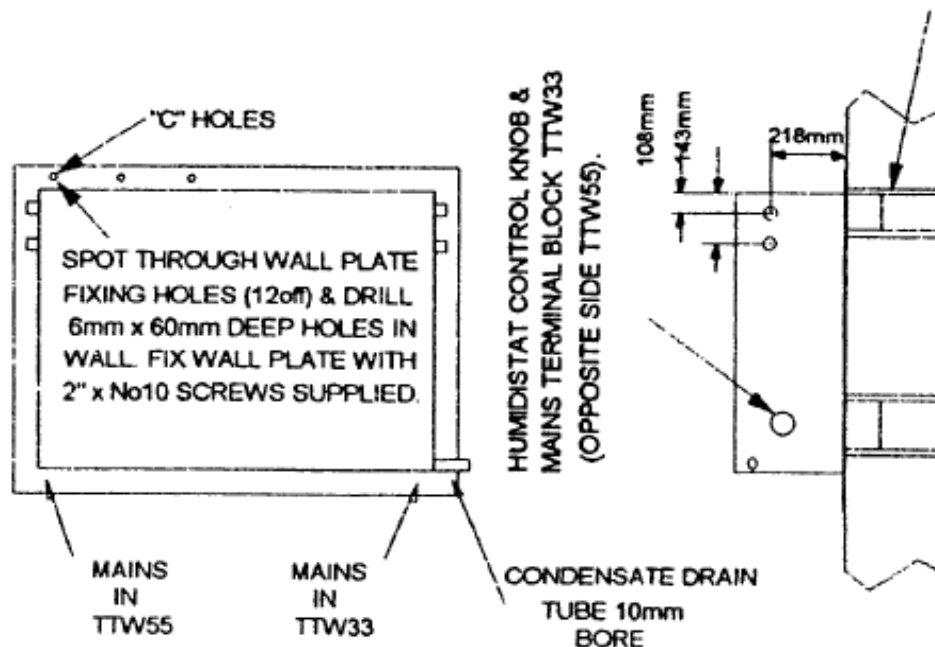


- |    |            |                         |
|----|------------|-------------------------|
| 3  | SD64359750 | DUCTING AIROUT          |
| 4  | SD64359752 | DUCTING AIR IN          |
| 5  | SA64381401 | GRILLE/DUCT ASSY INLET  |
| 6  | SA64381402 | GRILLE/DUCT ASSY OUTLET |
| 9  | SD64359950 | COMPRESSOR COVER        |
| 10 | SD64268150 | CUTOUT COVER            |
| 34 | SD64373351 | INSTALLATION CARD       |

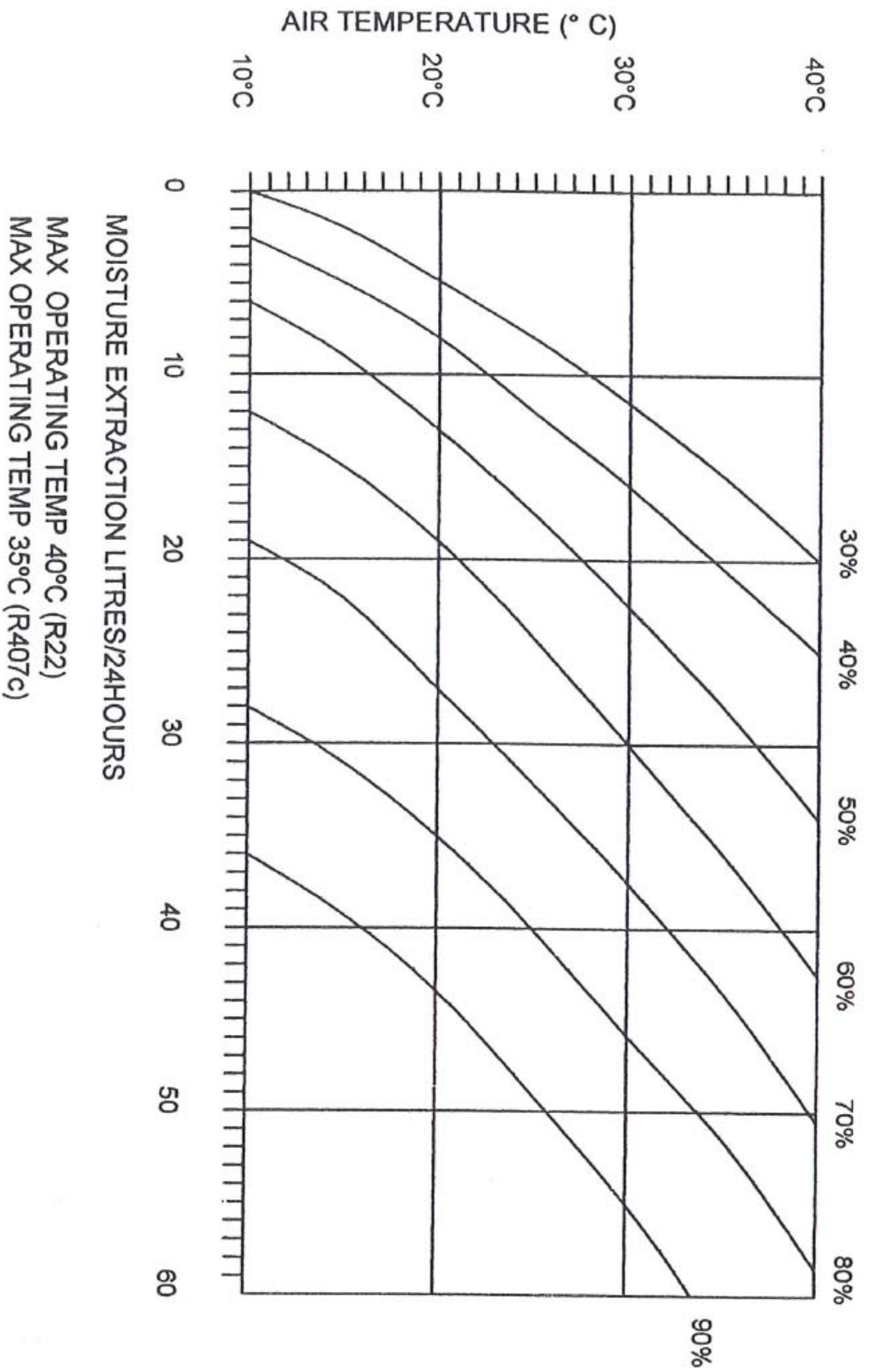
	'D' APERTURE	'E' APERTURE
TTW33	85 high x 520 long	110 high x 520 long
TTW55	85 high x 980 long	110 high x 980 long



FIT CAVITY BRIDGING PIECES & GRILLES SUPPLIED & ENSURE ALL JOINTS SEALED WITH SILICON CAULKING.

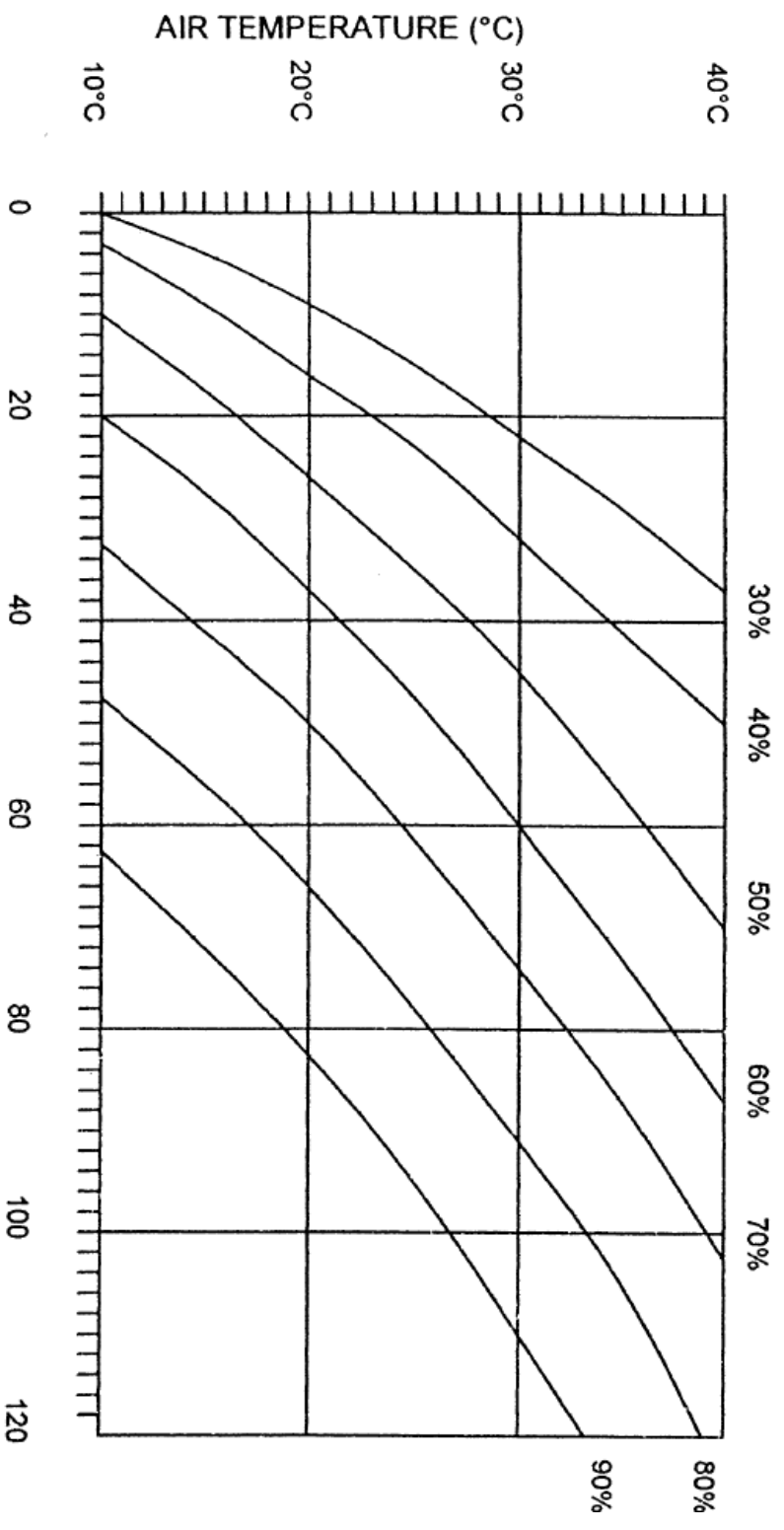


# TTW30/33/30(7)/33(7) PERFORMANCE.



# TTW55/55(7)/60/60(7) PERFORMANCE.

S



MOISTURE EXTRACTION LITRES/24HOURS  
 MAX OPERATING TEMP 40°C (R22)  
 MAX OPERATING TEMP 35°C (R407c)



**LPHW er ekstra udstyr. Varmeveksler er indbygget i affugteren fra fabrikken.  
Rørene hertil ses her på siden af affugteren.  
Varmeveksler kan ikke eftermonteres.**



**Forhandler.**