

3 way ball valve S4
Electric actuator EO510 ECO



Symbol photo

General:

- Material: PVC-U / PP / PVDF
- Sealing material: EPDM / FPM
- Ball seating joint: PTFE
- Ball T- or L-bore
- Dimensions

DN10	(DN15 / d16 / d3/8")
DN15	d20 / d1/2"
DN20	(DN25 / d25 / d3/4")
DN25	d32 / d1"
DN32	(DN40 / d40 / d1 1/4")
DN40	d50 / d1 1/2"
- Voltages: 230V AC

Connector types

- Solvent socket DIN
PVC
- Solvent spigot DIN
PVC
- Fusion socket DIN
PP / PVDF
- Fusion spigot DIN
PP / PVDF

Operating pressure:

DN10 d12 3/8" – DN25 d10 1" 10 bar
 DN32 d40 1 1/4" – DN40 d50 1 1/2" 3 bar

Technical Features:

- Manual override with visual position indicator
- 4 possible travel stops
- Position feedback possible
- Protection class IP65

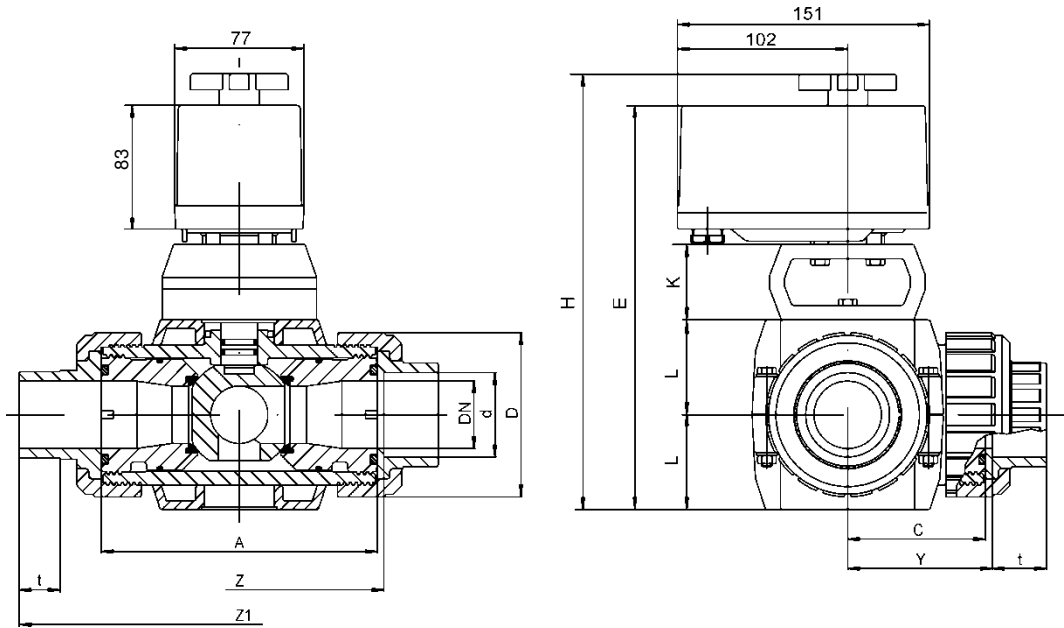
This document does not constitute a guarantee, it is for initial information purposes only. The product range is continually upgraded, the designs and types therefore only reflect the state of the art at the time of printing. Subject to technical modifications!

3 way ball valve S4

Electric actuator EO510 ECO



Dimensions:



PVC-U

Connector types

PVC solvent socket / solvent spigot

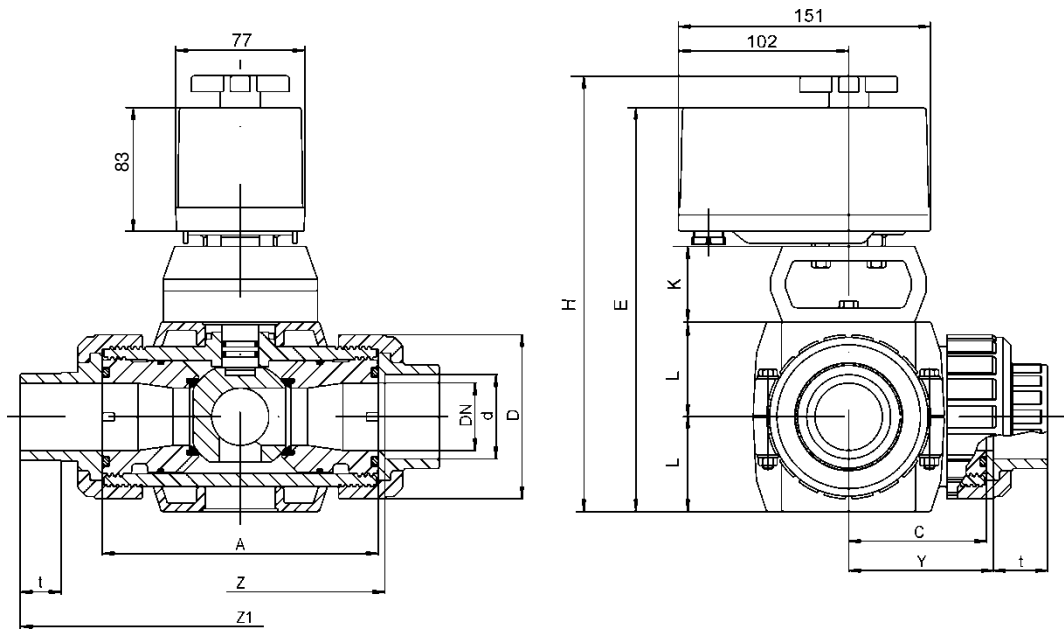
		<i>without console</i>					
		10	15	20	25	32	40
DN		10	15	20	25	32	40
d		16	20	25	32	40	50
ball valve PVC-U	A	100	100	120	120	162	162
	C	50	50	60	60	81	81
	D	53	53	70	70	101	101
	t_{SSO}¹ / SSP²	16,5	16,5	20	22,5	27,5	31,5
	Y	53	53	63	63	84,5	85,5
	Z	106	106	126	126	169	171
	Z1_{SSP}²	153	163	-	200	-	261
bar		10	10	10	10	3	3
Bracket / actuator	E	196,5	196,5	216,5	216,5	205	205
	H	216,5	216,5	236,5	236,5	225	225
	K	38	38	38	38	-	-
	L	33	33	43	43	56	56

dimensions in mm

¹ SSO = solvent socket - = currently not realised
² SSP = solvent spigot

3 way ball valve S4

Electric actuator EO510 ECO



PP / PVDF

Connector types

PP / PVDF fusion socket / fusion spigot

	DN	10	15	20	25
	d	16	20	25	32
ball valve PP / PVDF	A	98	98	118	118
	C	49	49	59	59
	D	53	53	70	70
	t _{FSO} ¹	14,5	16	17,5	19,5
	t _{FSP} ²	13	14	16,5	18,5
	Y _{FSO} ¹	54	52	64	65
	Z _{FSO} ¹	107	104	128	129
Z1 _{FSP} ²	150	160	190	197	
	bar	10	10	10	10
Bracket / actuator	E	196,5	196,5	216,5	216,5
	H	216,5	216,5	236,5	236,5
	K	38	38	38	38
	L	33	33	43	43

dimensions in mm

¹ FSO= fusion socket

² FSP = fusion spigot

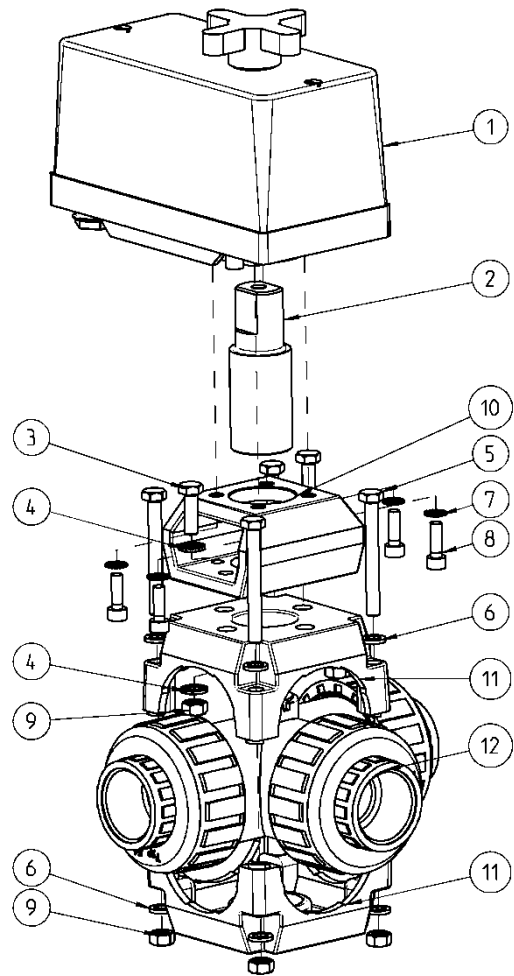
3 way ball valve S4

Electric actuator EO510 ECO



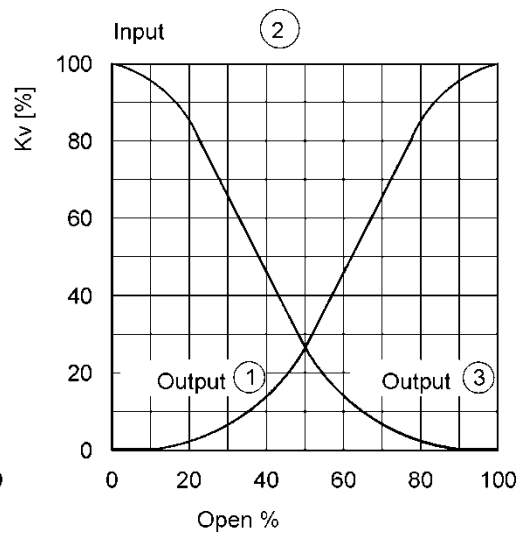
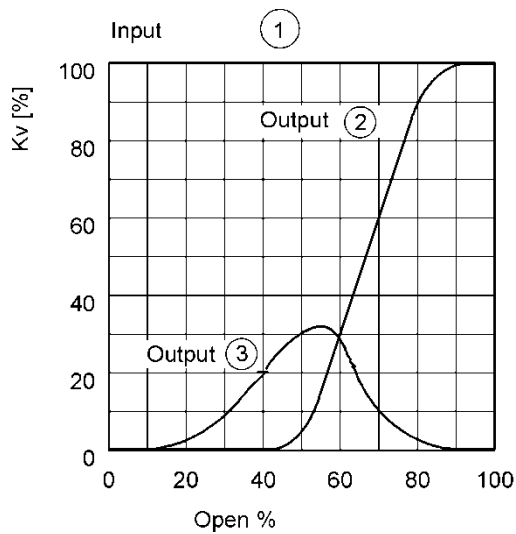
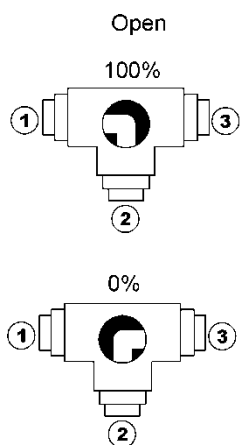
Exploded drawing:

- 1. Actuator
- 2. Clutch
- 3. Screws
- 4. Tooth wheel
- 5. Screws
- 6. Washer
- 7. Tooth wheel
- 8. Screw
- 9. Nut
- 10. Console
- 11. Bracket
- 12. 3 way ball valve S4



Diagrams:

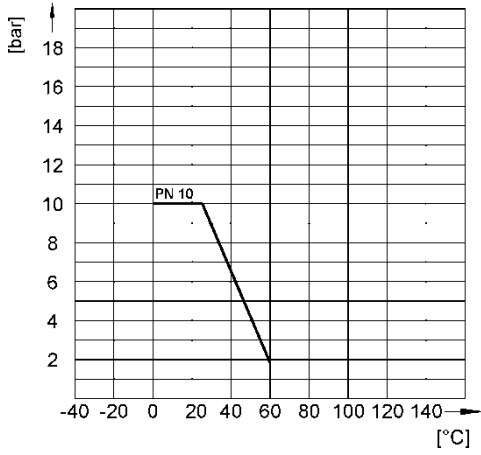
Flow-Characteristic



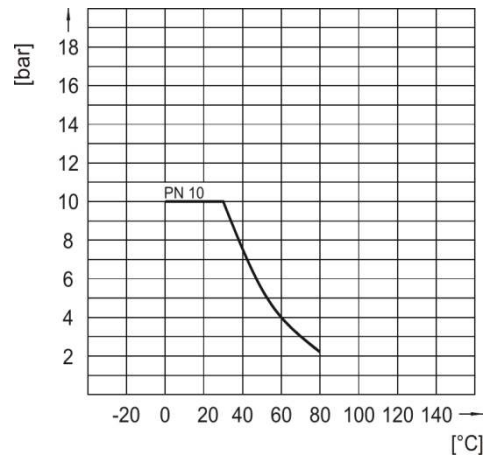
3 way ball valve S4
Electric actuator EO510 ECO



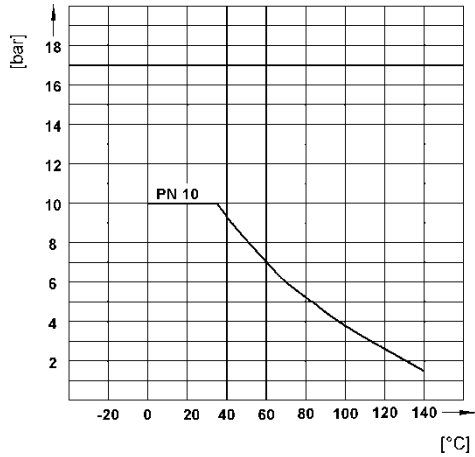
Pressure-Temperature-Diagram – PVC-U



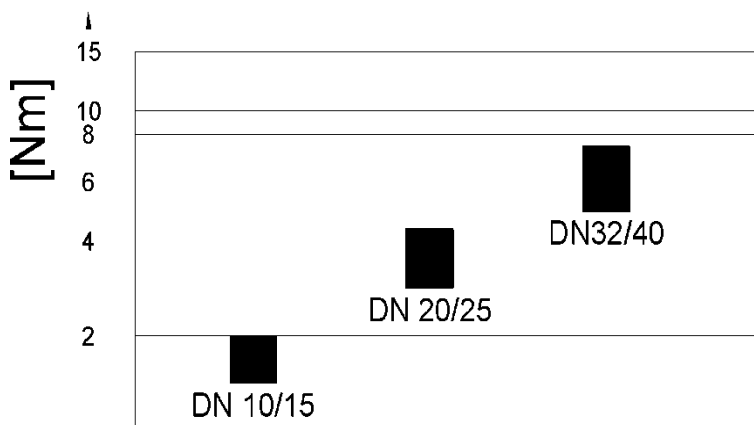
Pressure-Temperature-Diagram – PP



Pressure-Temperature-Diagram – PVDF



Torque



3 way ball valve S4
Electric actuator EO510 ECO

Technical data EO510 ECO:

	EO510 ECO-230
Voltages	230V AC
Frequency range	50 / 60 Hz
Power consumption	4 Watt
Protection	IP65
Operating time	26 sec 90°
Rotation angle	360° set to 90° 2 intermediate positions possible
Duty duration	60% / max. 20 min
Electrical connection	cable gland
Nominal torque	7 Nm
Peak torque	9 Nm
Temperature	0°C bis + 50°C
Body material	ABS
Position indicator	optically (manual override handle)
Manual override	integrated

Electrical Connection:

