

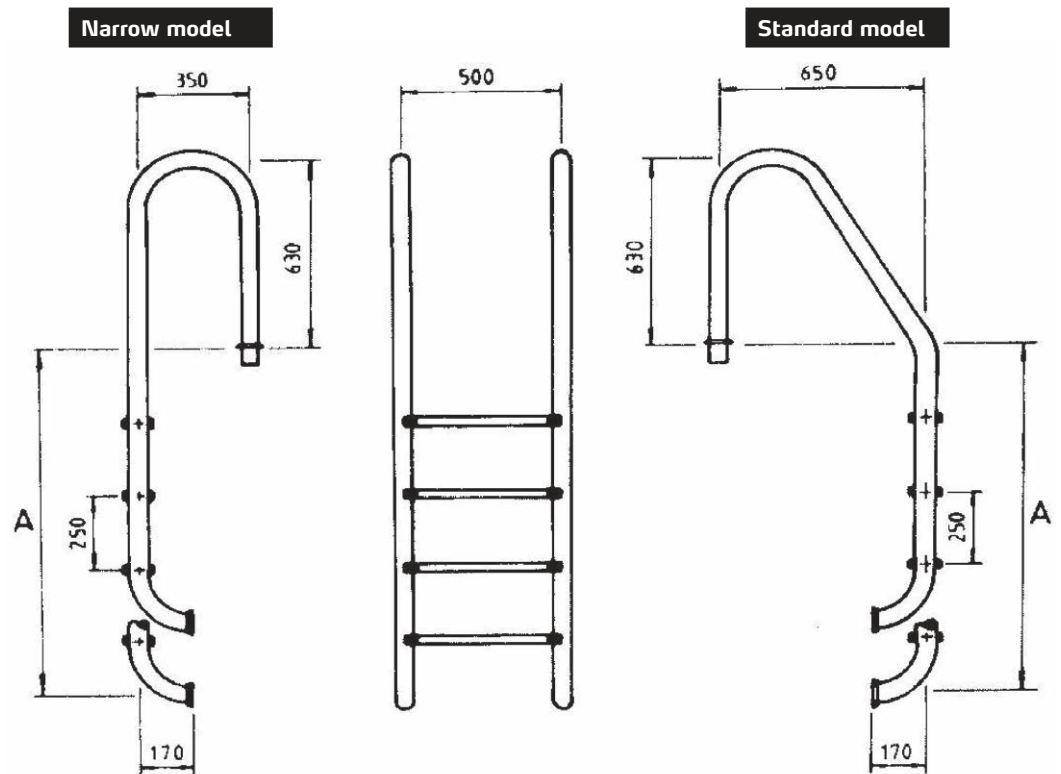
POOL LADDERS, SLIDES & HANDICAP LIFT

POOL LADDERS

POOL LADDERS

- Narrow design
- Standard design

The pool ladder are mounted into the floor by anchor kit and closed with a steel escusion.

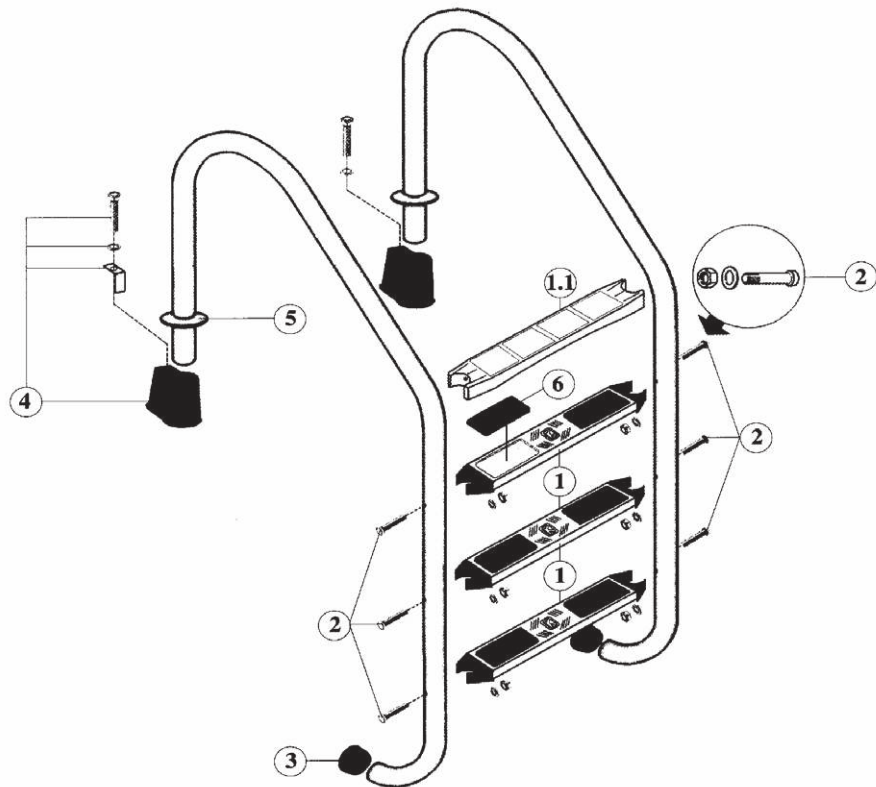


Models	2 steps	3 steps	4 steps	5 steps
Pipe diameter	43 mm	43 mm	43 mm	43 mm
A	700 mm	950 mm	1200 mm	1450 mm

POOL LADDERS

POOL LADDERS

- Narrow deign.
- Standard design.
- 2 piece design.



Pool ladder spare parts for all models.

Part number		Spare part number
01	Steps (incl. nr. 06)	39-200003
02	Screw kit, complete	39-200007
03	Bumper	39-200006
04	Anchor kit complete	39-200008
04-1	Anchor for wooden terrace	39-200001
04-2	Anchor with swinglement	39-200000
05	Cover plate	39-200009
06	Plate non-skid for step	39-200004