

Dolphin Liberty

User Instructions





EN

Dolphin Liberty

User Instructions

Contents

1. INTRODUCTION.....	2
2. WARNINGS AND CAUTIONS.....	2
3. SPECIFICATIONS.....	3
3.1. Robot specifications.....	3
3.2. Charger specifications.....	3
3.3. Battery specifications	3
4. WHAT YOU'LL FIND INSIDE THE BOX	4
5. USING THE POOL CLEANER	5
5.1. Preparing the robot for use.....	5
5.2. The interactive float	7
6. PLACING THE ROBOT IN THE WATER.....	8
7. TAKING THE ROBOT OUT OF THE WATER	9
7.1. Turning the robot off.....	9
7.2. Pulling the robot out of the water.....	9
8. ROUTINE MAINTENANCE	11
8.1. Cleaning the filter cartridges.....	11
8.2. Dismantling and cleaning the impeller	12
8.3. Storing the robot.....	13
9. USING THE REMOTE CONTROL	14
9.1. The control panel	14
9.2. Manual direction control mode.....	15
9.3. Automatic mode settings.....	16
10. TROUBLESHOOTING GUIDE	17
11. CADDY ASSEMBLY INSTRUCTIONS	18

1. INTRODUCTION

Thank you for purchasing the Dolphin Liberty cordless robotic pool cleaner. Like all Dolphin robots from Maytronics, your new Dolphin Liberty robot is designed for easy, reliable and efficient operation.

Please read this instruction manual carefully and be sure to follow all the recommendations regarding operation and care of your Dolphin Liberty. This is essential for optimal cleaning and to protect your robot at all time, whether in use or in storage.

1. The Dolphin Liberty is a cordless, battery-powered robotic pool cleaner designed to clean any residential pool up to 15m (50ft) in length. It is particularly suited for pools with irregular shapes and/or in-pool features, such as bridges, fountains, pillars, and other obstacles that may hinder the free movement of a power cable.
2. The Dolphin Liberty is a wall-climbing model; it cleans the pool floor, walls, and waterline without intervention.
3. The robot is battery-operated and must be charged before each use by the charger that is supplied with it.
4. The default duration of the cleaning cycle is 1hr. and 15 min. The duration can be changed to a 1hr. and 30 min. This is done with the remote control.
5. Charging the robot takes 4-5 hrs., after which the robot is ready for use.
6. Upon completion of an operating cycle, the robot automatically moves to one of the pool walls before switching off. This makes it easier to take the robot out of the water for charging and cleaning the cartridges.
7. If the robot completes its work and stops at an inaccessible location inside the pool, it can be steered with the remote control to a more accessible location, this must be done within 12 hours from the robot's completion of the operating cycle.
8. If required, the robot can be steered with the remote control during its operation.
9. The pool cleaner can work under a pool cover.

2. WARNINGS AND CAUTIONS

1. Use only the original charger supplied with the robot and manufactured by Maytronics.
2. Place the charger in a shaded dry area during both charging and storage.
3. Always place the charger at a minimum of 3m (10ft) distance from the edge of the pool, especially during charging.
4. Prior to connecting the float and charger for charging purposes, verify that the connector and socket are dry and clean.
5. Before operation, disconnect the charging cable and close the charging socket cover.
6. Do not open or disassemble the motor unit in any way.
7. Ensure the electrical outlet used for charging is protected by a ground fault interrupter (GFI) or an earth leakage interrupter (ELI).
8. Do not enter the pool while the pool cleaner is working.
9. The pool cleaner must be charged before storage.
10. The pool cleaner is not to be used by children or persons with reduced physical, sensory or mental capabilities, or lack of experience and knowledge, unless they have been given supervision or instruction.

3. SPECIFICATIONS

3.1. Robot specifications

- Motor protection: IP 68
- Minimum pool depth: 0.80m (2.6ft)
- Maximum pool depth: 5m (16.4ft)

The pool water conditions must be within the following parameters:

PH	7.0-7.8
Temperature	6°-34°C (43°-93°F)
Salt	Max 5,000 ppm
Chlorine	Max 4 ppm

3.2. Charger specifications

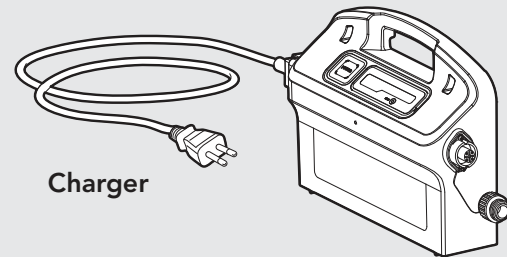
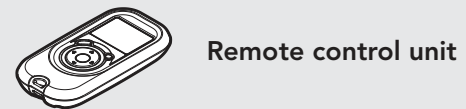
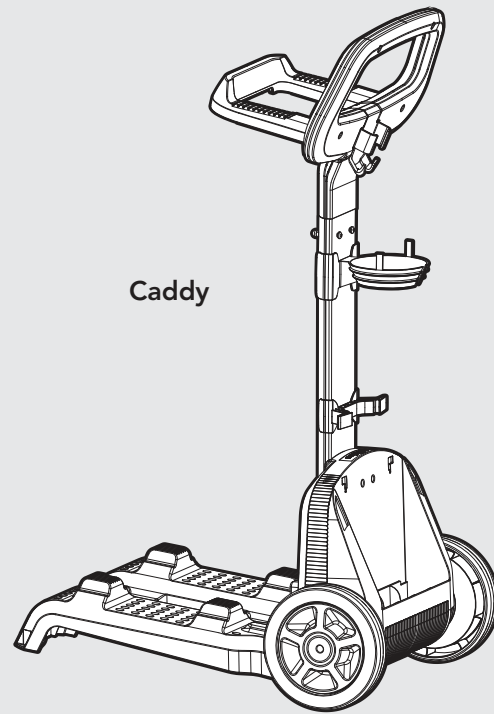
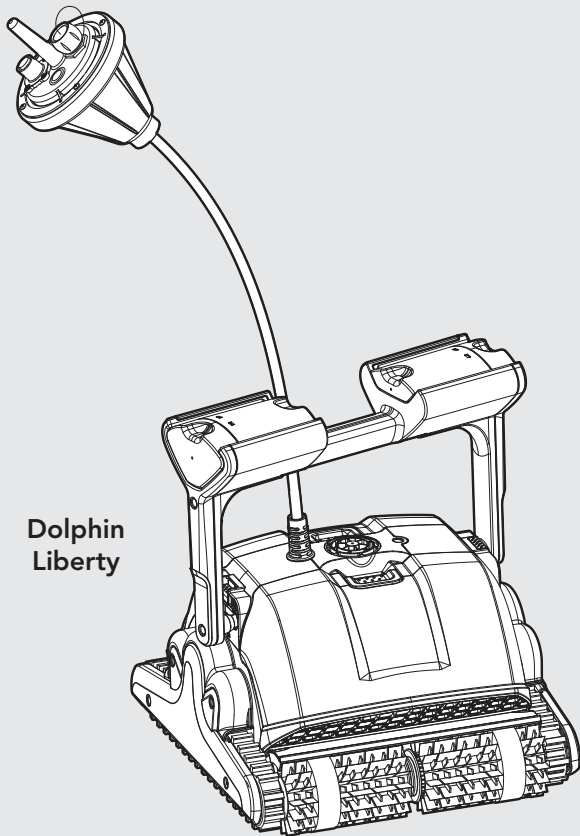
Digital switch-mode charger:

- Input: 100-250AC volts
50-60Hz
115W
- Output: 26 VDC
IP 54

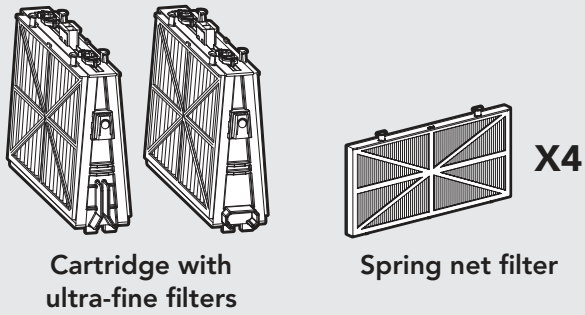
3.3. Battery specifications

- Application: Robotic pool cleaner
- Battery type: Lithium ion
- Battery Configuration: 6S4P
- Nominal Voltage: 22.2V
- Maximum Charge Voltage: 25.2V
- Discharge Cut-off Voltage: 18V
- Typical Capacity: 10400mAh
- Standard Discharge Current: 1.7A
- Maximum Charging Current: 4.5A
- Operating Temperature: 0°-45°C / 32°-113°F (charging)
-10°-60°C / 14°-140°F (discharging)
- Storage Temperature: 0°-30°C / 32°-86°F
- Safety Device: Each cell is equipped with a safety vent system. Each pack is equipped with a protection circuit against over-voltage, over-discharge and over-current.
- Safety Regulation: UL1642, (UL file no.: MH21015), UN38.3

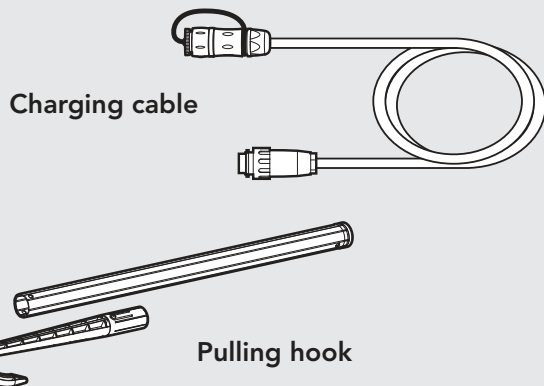
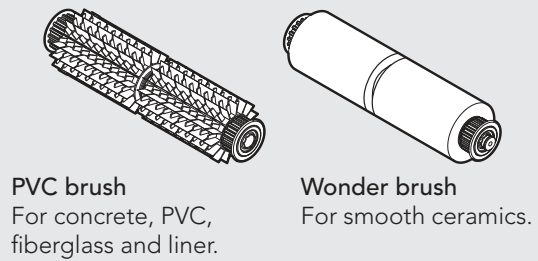
4. WHAT YOU'LL FIND INSIDE THE BOX



Filteration



Brushes - options



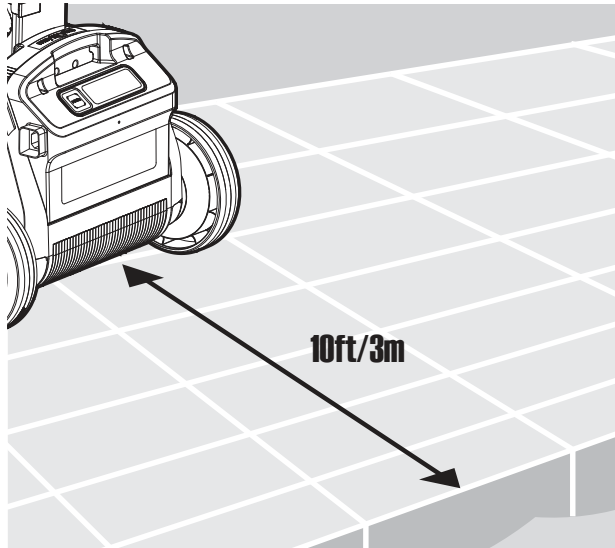
5. USING THE POOL CLEANER

5.1. Preparing the robot for use

5.1.1. Assembling the Caddy kit

For instructions on how to assemble the Caddy see page 18.

5.1.2. Caddy and charger positioning

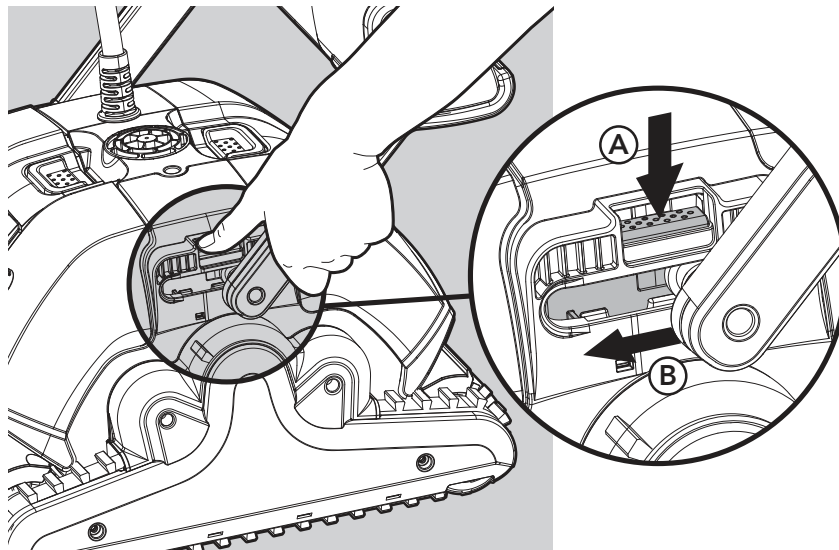


Position the charger at a distance of at least 3m (10ft) from the edge of the pool.

5.1.3. Adjusting the handle angle

The robot's handle should be adjusted and locked diagonally in order to ensure optimum cleaning results.

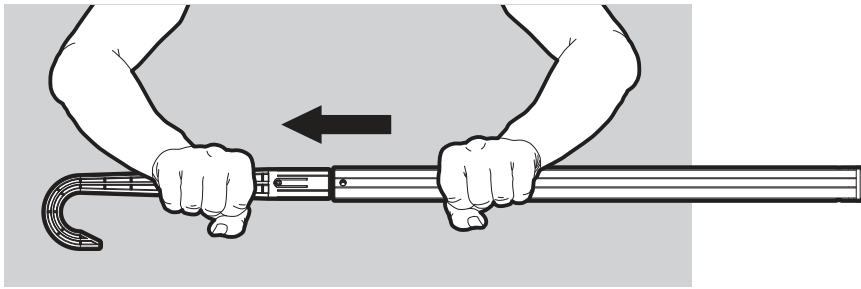
The handle angle can be adjusted also to determine the speed at which the robot advances along the water-line.




To adjust the handle angle:

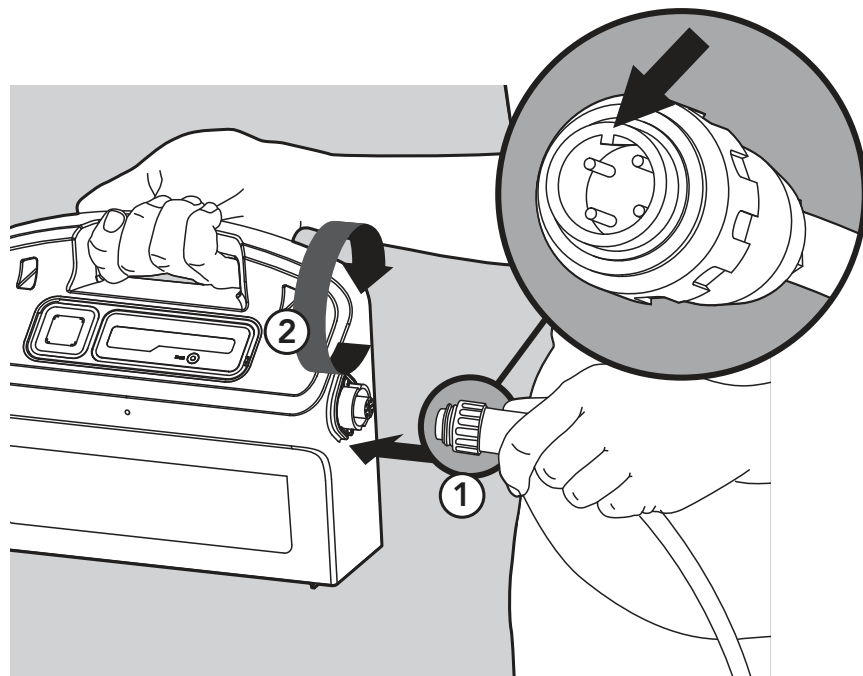
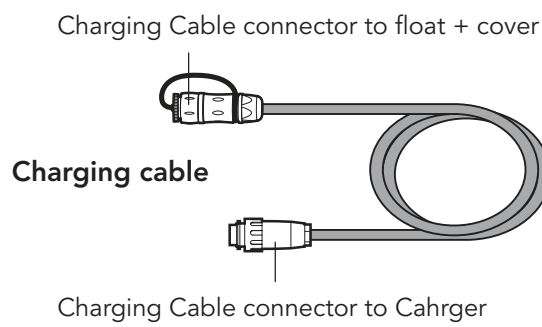
- A. Press the latch down and hold it in position.
- B. Move the handle to the desired position and release the latch to hold the handle in place.

5.1.4. Assembling the pulling hook



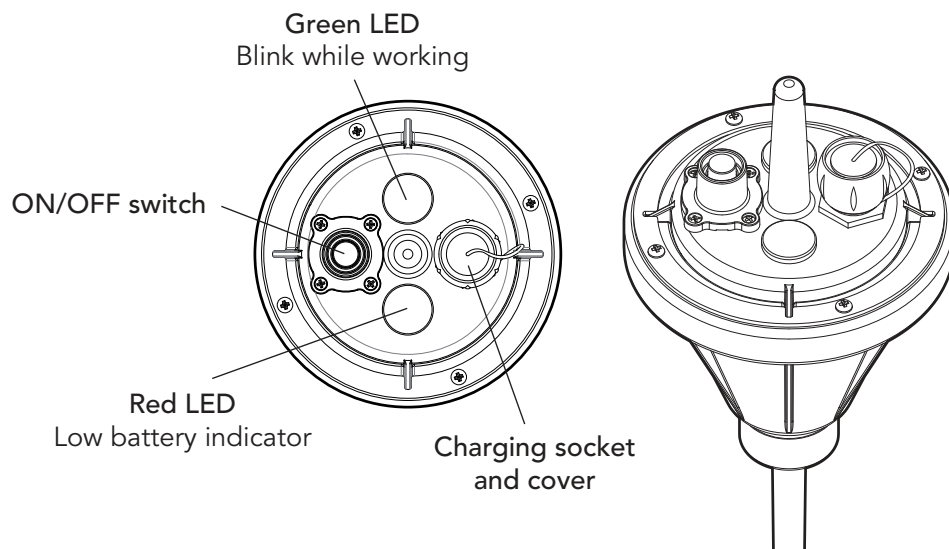
5.1.5. Charging the robot

 **Note:** The pool cleaner must be charged before operation.



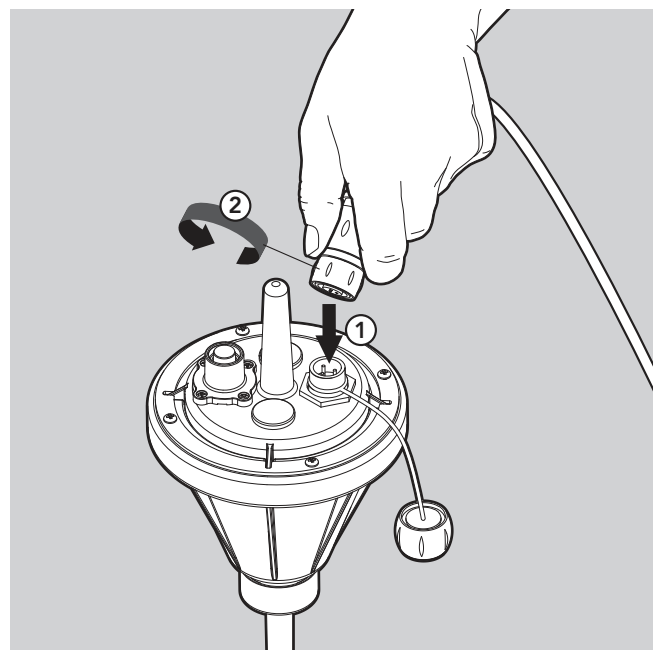
1. Plug the charging cable into the charger.
2. Plug the electrical cable from the charger into the mains.
3. Open the charging connector cover of the charging cable.

5.2. The interactive float

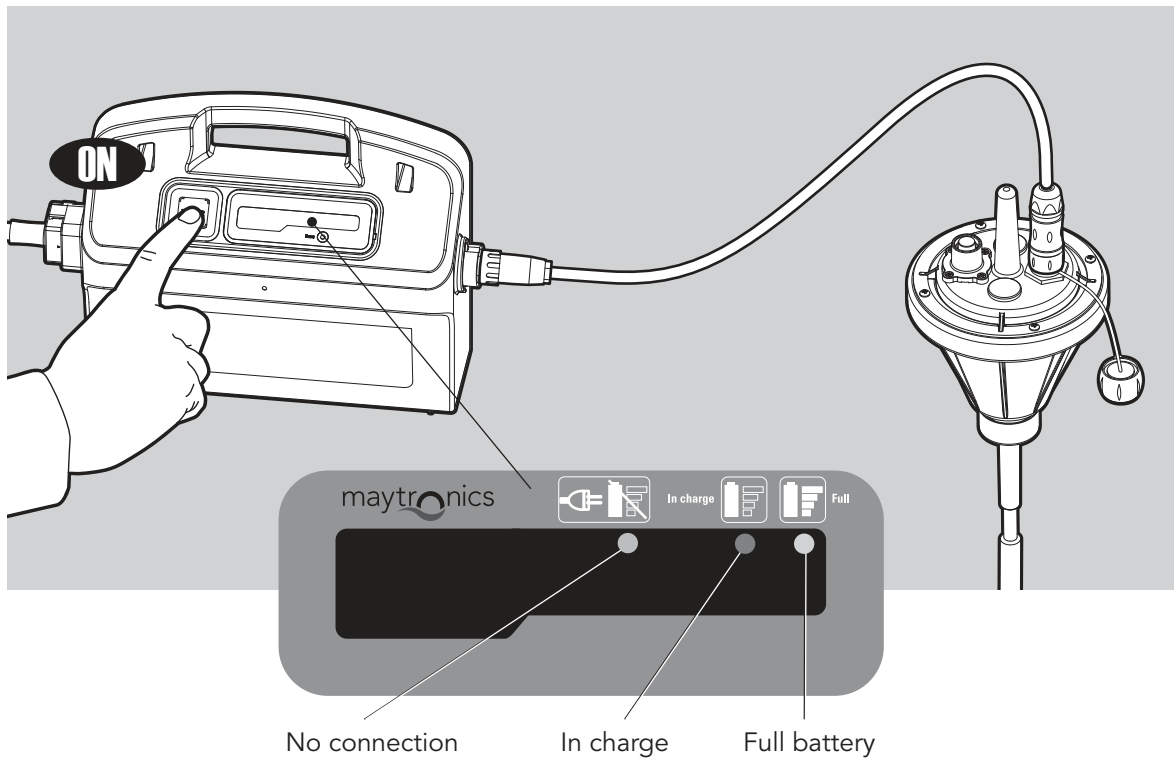


Open the charging socket cover on the float.

Connect the charging connector to the charging socket on the float (1) with a slight rotation until in position, push down and turn to secure in place (2).

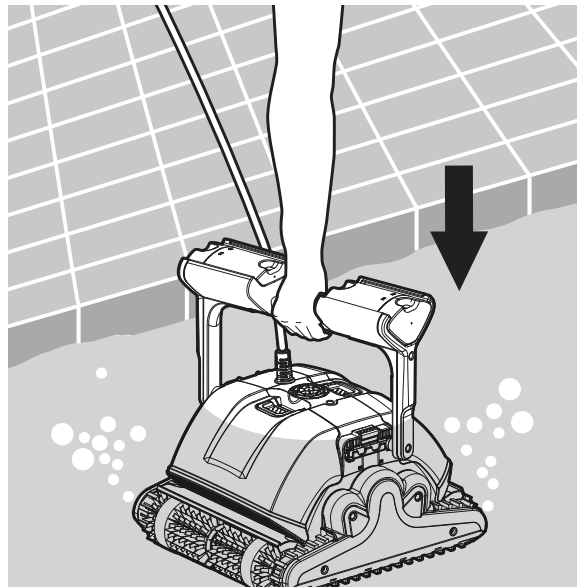


Press the on/off switch button on the charger, at this stage the LED indicators on the charger and float will remain lit for one second.




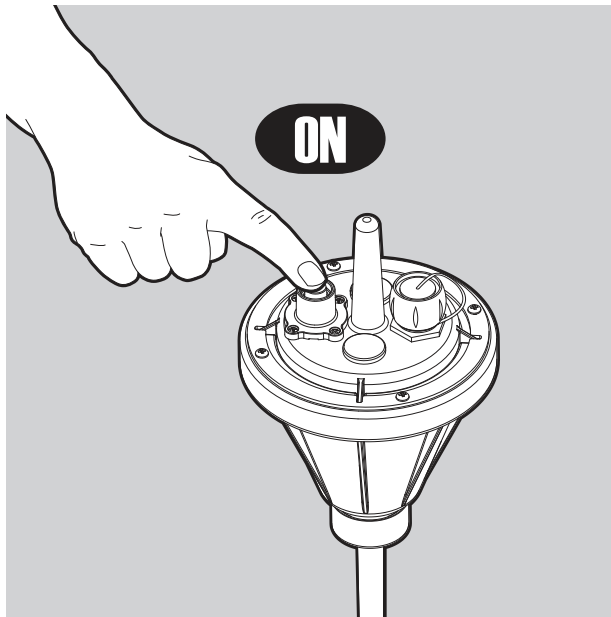
- While charging, the red "In charge" LED indicator will flash.
- When the battery is full, the green "Full Battery" LED indicator will light up and will remain lit.
- In case of a charging failure or if charging is not performed correctly, the orange "No connection" Led indicator will flash.

6. PLACING THE ROBOT IN THE WATER



1. Before operation, disconnect the charging cable from the float and close the charging socket cover.
2. Put the robot into the water while holding the float. Let the robot descend to the bottom of the pool.

 **Note:** When using combined brushes or Wonder brushes remove the plastic coverings on the brushes before use. Gently squeeze the Wonder brush material in the water until it is totally wet.



3. Press the on/off switch button on the float for one second until both LED indicators are lit.

Now you can release the float.

The robot will start its working cycle.

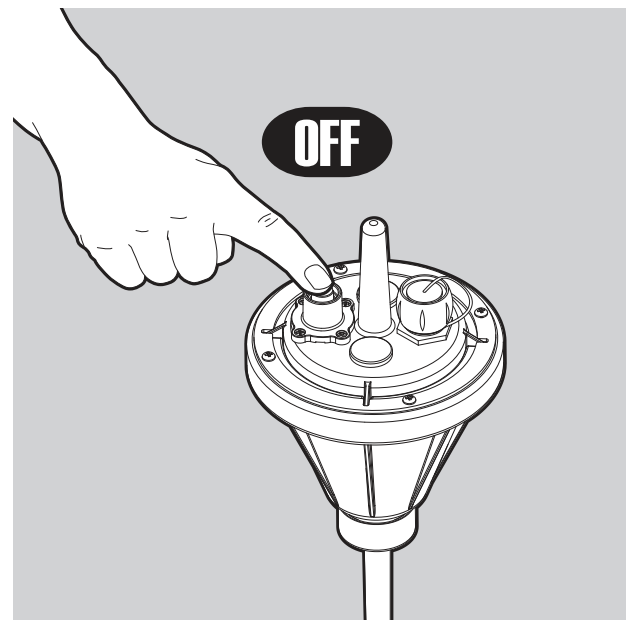
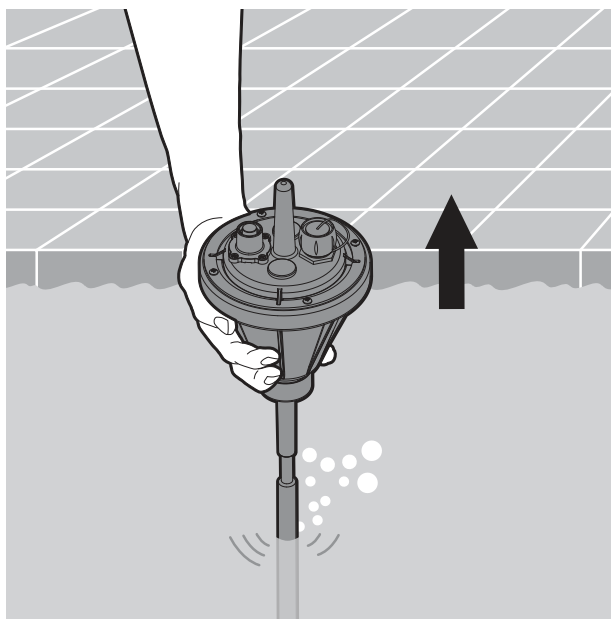
The green LED indicator flashes throughout the cleaning cycle.

7. TAKING THE ROBOT OUT OF THE WATER

7.1. Turning the robot off

The robot will automatically shut down either at the end of the cleaning cycle or when the battery capacity drops below the lowest allowable level.

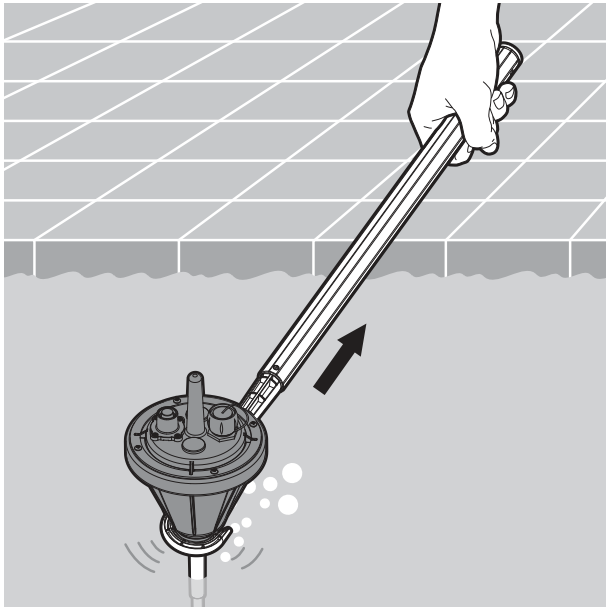
If you would like to turn off the robot before the end of the cleaning cycle, press continuously for 2 seconds on the on/off switch button. The LED indicators will flash quickly several times and the robot will switch off.



7.2. Pulling the robot out of the water

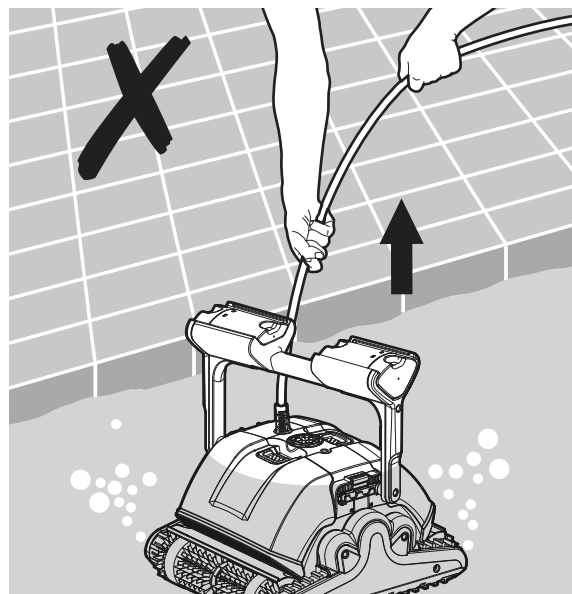
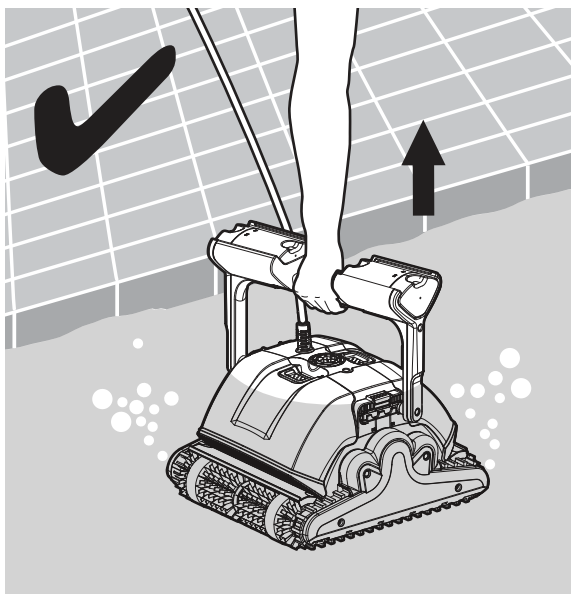
Upon completion of an operating cycle, the robot automatically switches off and moves to one of the pool walls to make pulling it out of the pool easier.

Bring the robot to the surface by gently pulling the float and cable.



If the Dolphin has stopped in an inaccessible location, use the remote control to maneuver the robot closer to you. Alternatively, use the pulling hook to grab the float and gently reel in the robot.

Pull the floating cable gently until the robot has risen to the surface. Lift the robot out of the water by its handle.



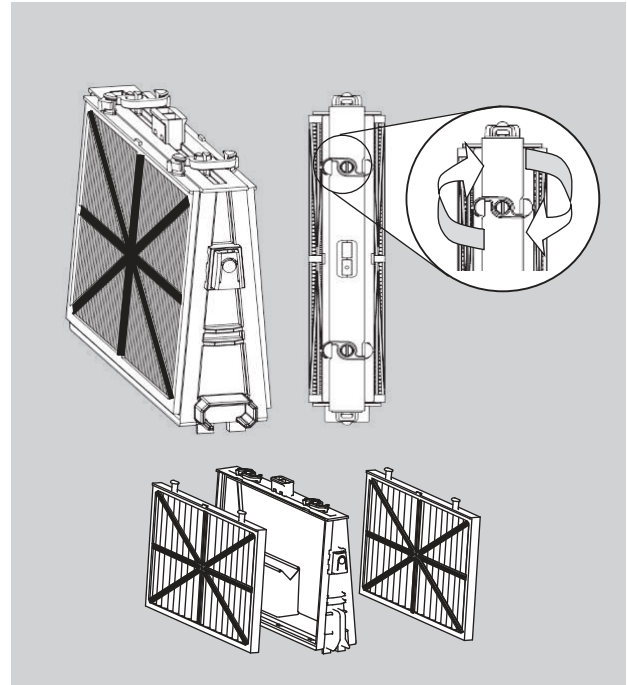
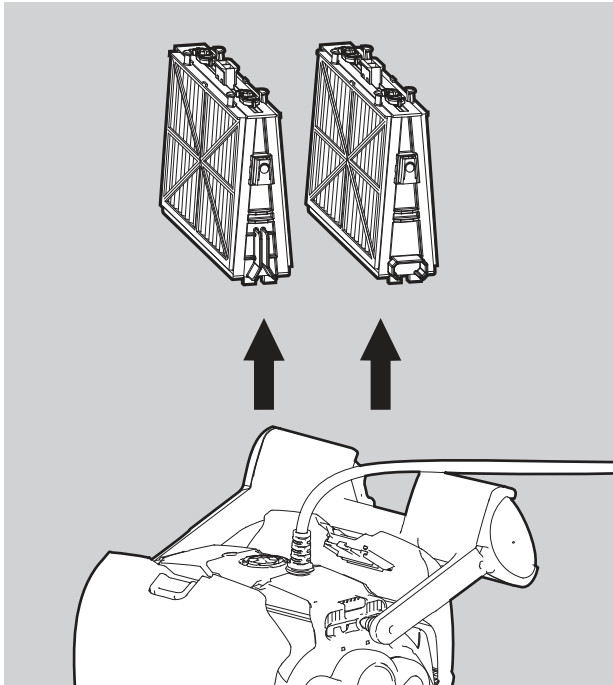
 **Important: Do NOT lift the Dolphin from the water by its cable.**

8. ROUTINE MAINTENANCE

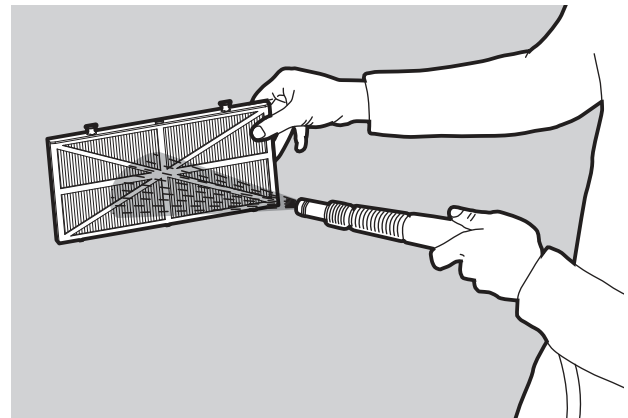
8.1. Cleaning the filter cartridges

 **Note:** Do not let the filter cartridges dry out before cleaning.

1. Open the filter covers and remove the cartridges from both sides of the robot.
2. Open the clips and remove the filters.

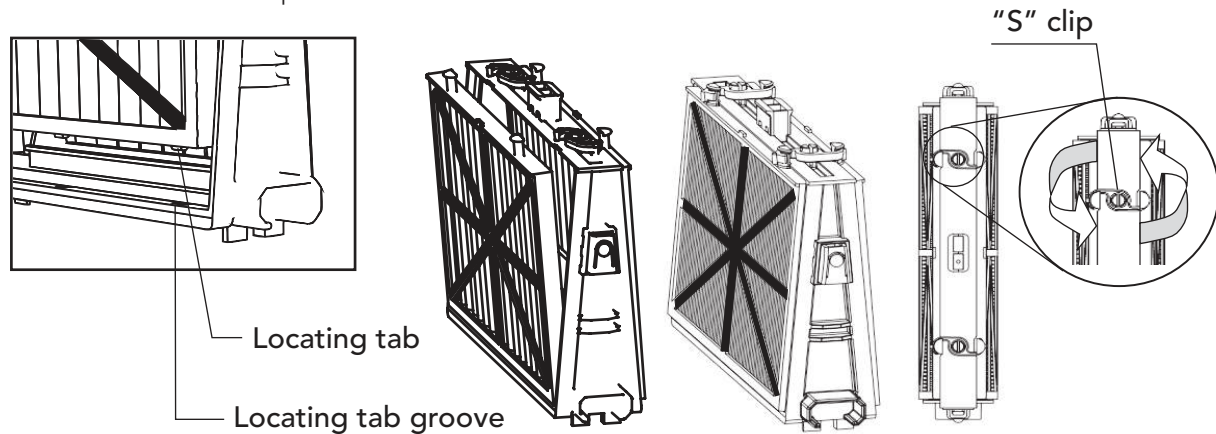


3. Clean the filters with a hose.



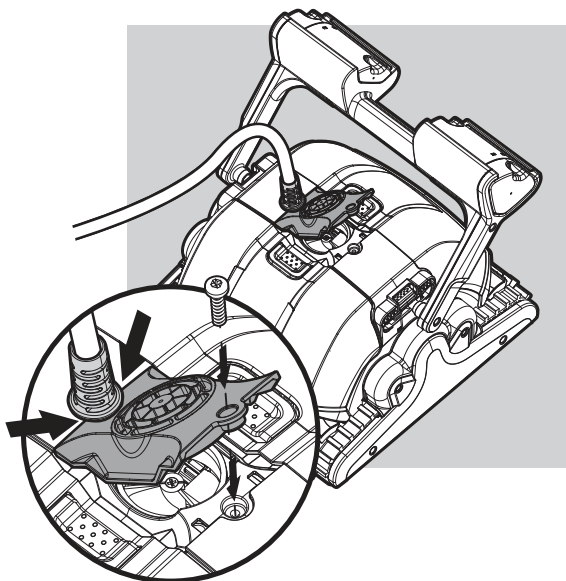
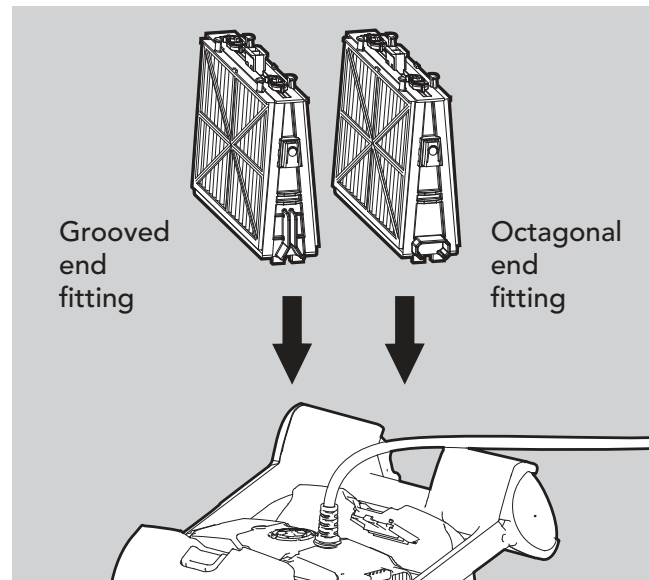
4. Reassembling the filter elements

Insert the locating tabs at the bottom of the filter element into their grooves on the base frame then close the "S" clip.



Reinstall the base frames with filters according to the diagram.

⚠ Do not force the filters into place.



8.2. Dismantling and cleaning the impeller

⚠ Ensure to switch the robot off before opening the impeller, by pressing on the on/off switch on the float. The LEDs will blink for several seconds before shutting down.

If you notice debris trapped in the impeller, open the impeller and remove the debris, then reassemble.

8.3. Storing the robot



The robot must be fully charged before storing.



The robot must be charged every six months during the storage period.

1. Thoroughly clean the cartridges and insert them in place.
2. Store the robot in a protected place at temperatures between 0-30°C (32-86°F).
3. Store the robot either on its Caddy or simply upside down.
 - Do NOT store the robot where it will be exposed to direct sunlight.
 - Do NOT store the robot where it will be exposed to excessive heat.
 - Do NOT store the robot where it will be exposed to frost.

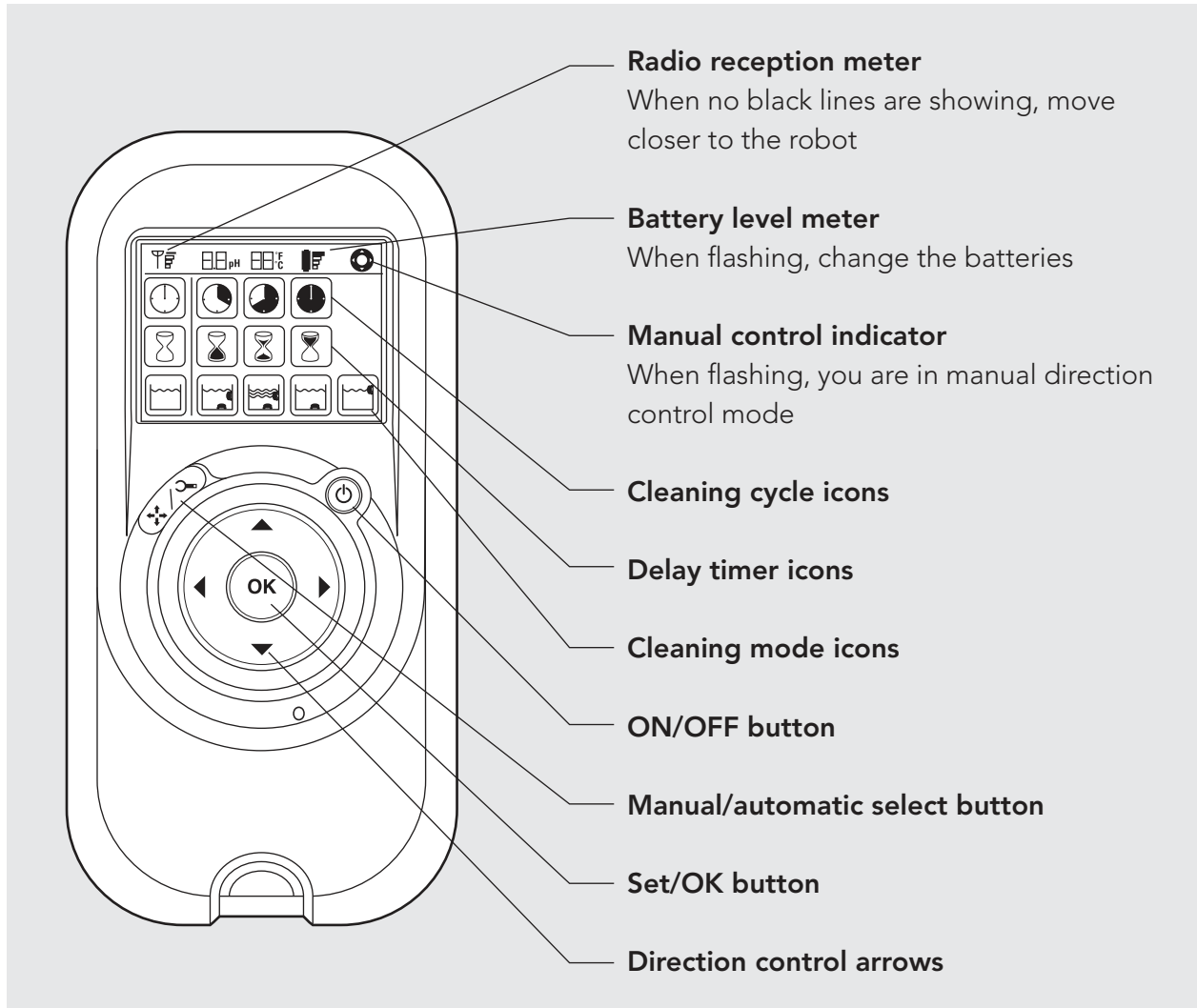
9. USING THE REMOTE CONTROL

The remote control unit (RCU) offers two operation modes – automatic mode and manual direction control mode.

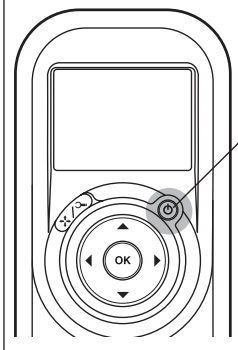
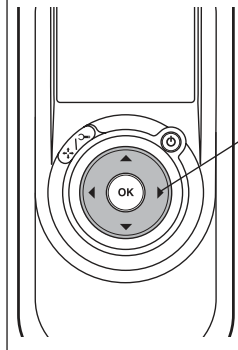
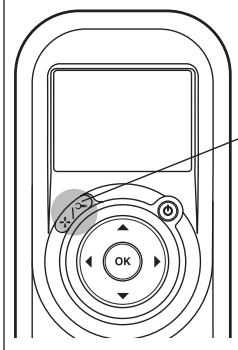
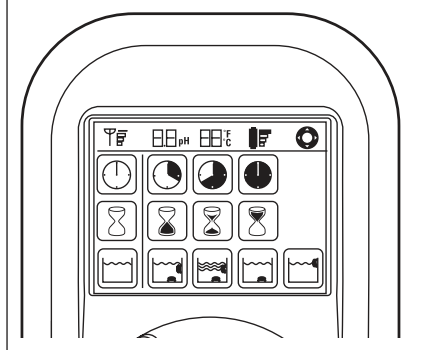
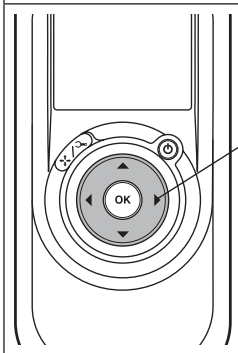
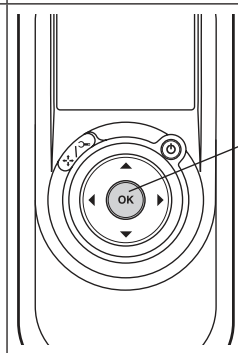
In automatic mode, the cleaning parameters can be changed.

In manual direction mode, the robot's motion can be controlled manually.

9.1. The control panel
















9.2. Manual direction control mode

Manual direction control mode		
 <p>on/off button</p>	<ol style="list-style-type: none"> 1. Press the on/off button once. The remote control will start in manual direction control mode. 2. Use the direction control arrows (see right) to control the movement of the robot around the pool. 	 <p>Direction control arrows</p>
Exiting manual direction control mode		
 <p>Manual/Automatic Select button</p>	<ol style="list-style-type: none"> 1. To exit the manual direction control mode, press the manual/automatic select button once only. 2. The digital screen will light up and three rows of function icons will be displayed in default mode. 	
 <p>Direction control arrows</p>	<ol style="list-style-type: none"> 1. To change the parameters press the up or down arrows. To select the parameter settings use the right or left arrows. 2. When you reach the required function press the Set/OK button. 	 <p>Set/OK button</p>

9.3. Automatic mode settings

To change the automatic mode settings, press the manual/automatic select button and then choose the desired parameters according to the following table:

 <p>Cleaning cycle indicator This determines the length of the cleaning cycle.</p>	 <p>Fast 1 hour cycle</p>	 <p>Efficient 1.25 hour cycle for everyday use. (default setting)</p>	 <p>Heavy duty 1.5 hour cycle</p>	
 <p>Delay time indicator This determines when the pool cleaner starts to work. Delaying allows the dirt to settle to the bottom of the pool.</p>	 <p>Immediate start (default setting)</p>	 <p>One-hour delay</p>	 <p>Two-hour delay</p>	When activated, the green LED will flash every five seconds.
 <p>Cleaning action indicator</p>	 <p>Standard Floor and wall cleaning (default setting)</p>	 <p>Ultra-clean Stronger suction and slower movement when cleaning floor and walls.</p>	 <p>Floor only Cleans only the floor and the area where the floor and walls meet.</p>	 <p>Walls Only Cleans walls and waterline only.</p>

Note:

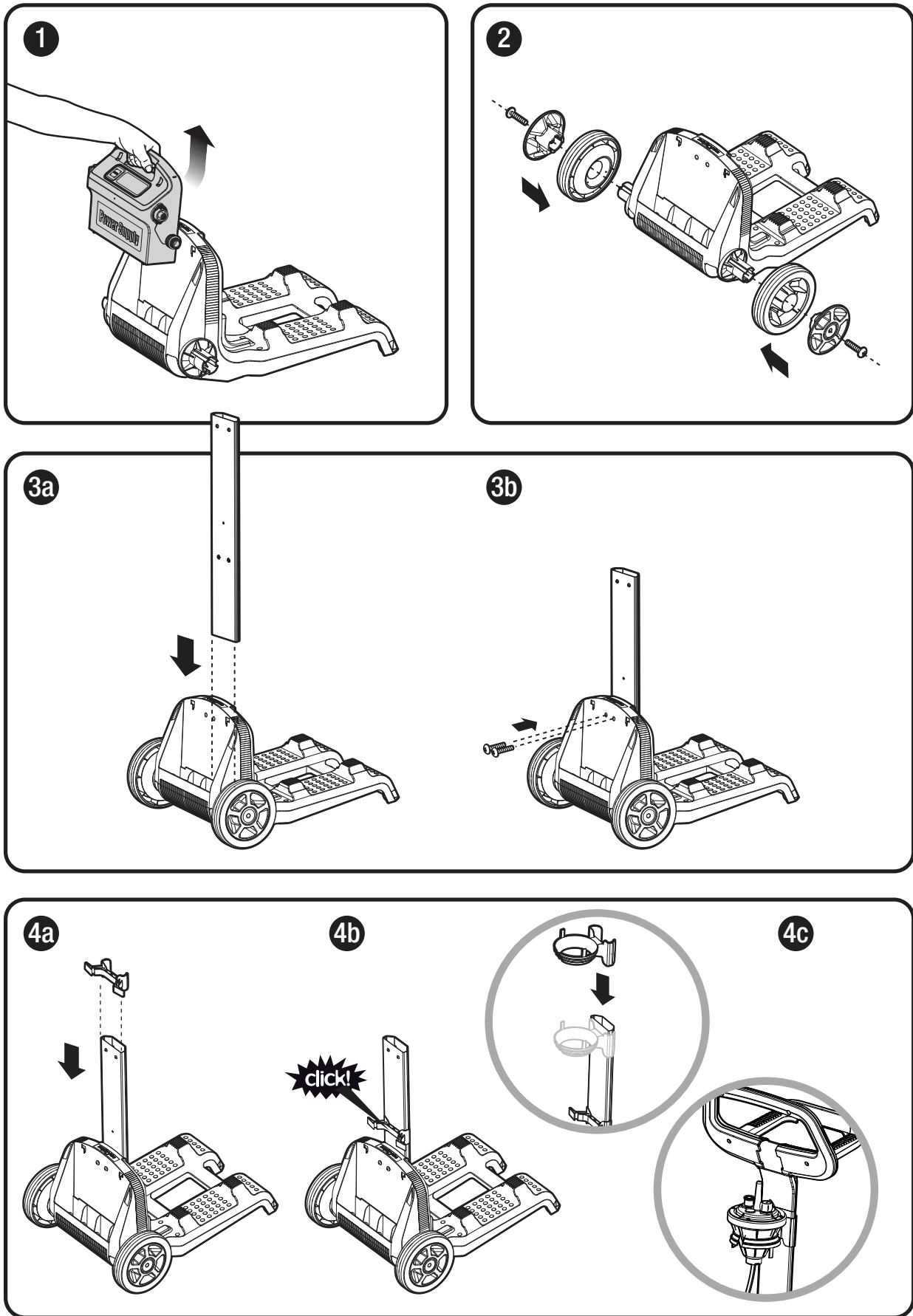
- If no button is pressed after two minutes, the remote control automatically turns off. The robot will continue to work according to the last settings chosen.
- After "Ultra-clean" and "Walls only" cleaning cycles, the robot returns to default settings.
- In "Floor only" mode, the cleaning cycle will stay as it is until deliberately changed.

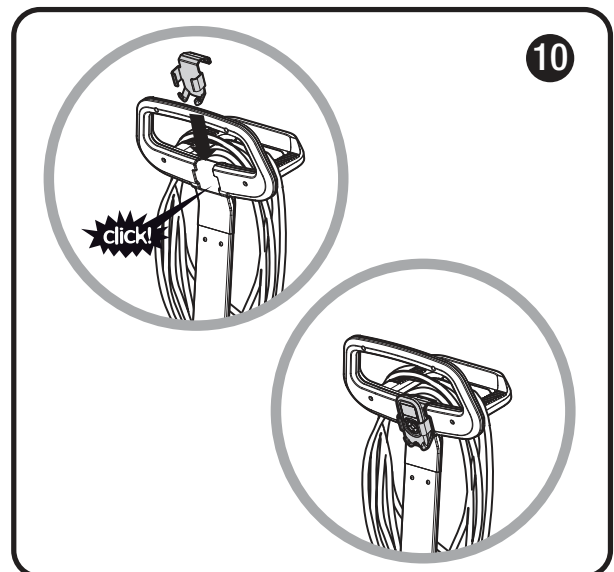
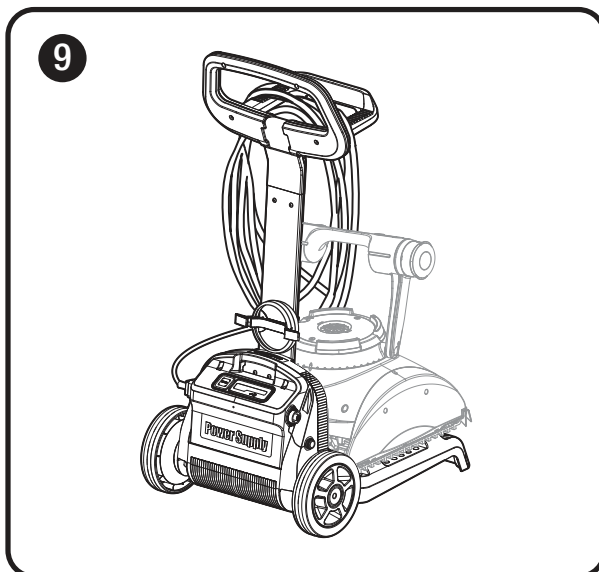
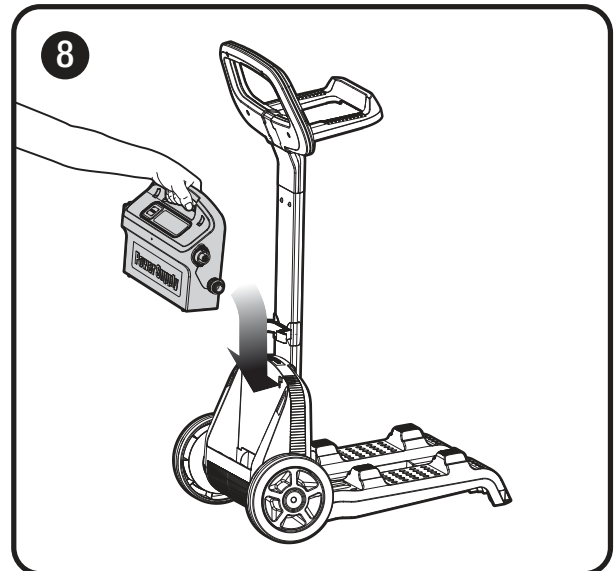
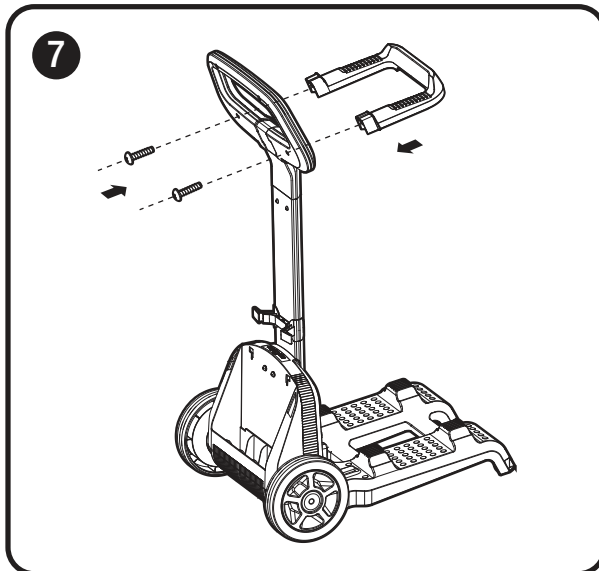
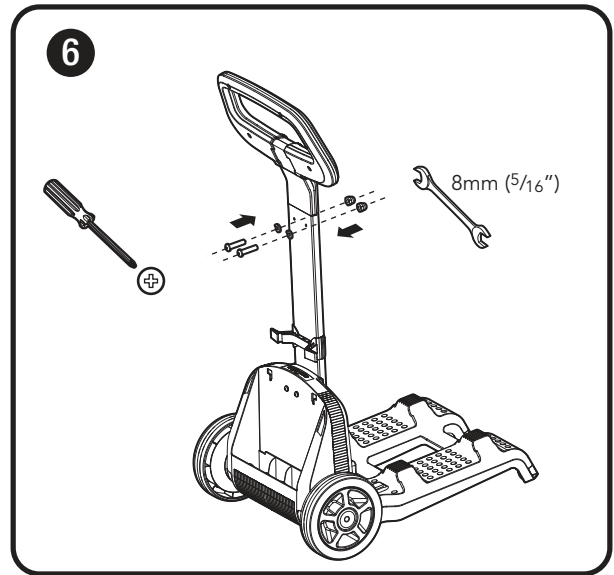
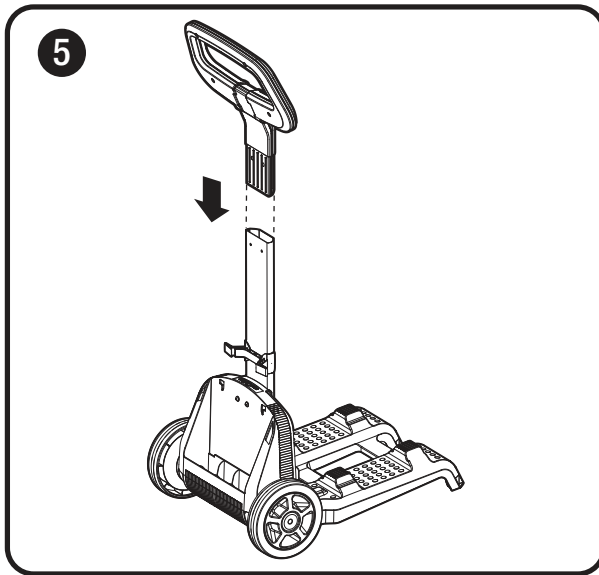
10. TROUBLESHOOTING GUIDE

Before contacting your Dolphin dealer, please read through this guide.

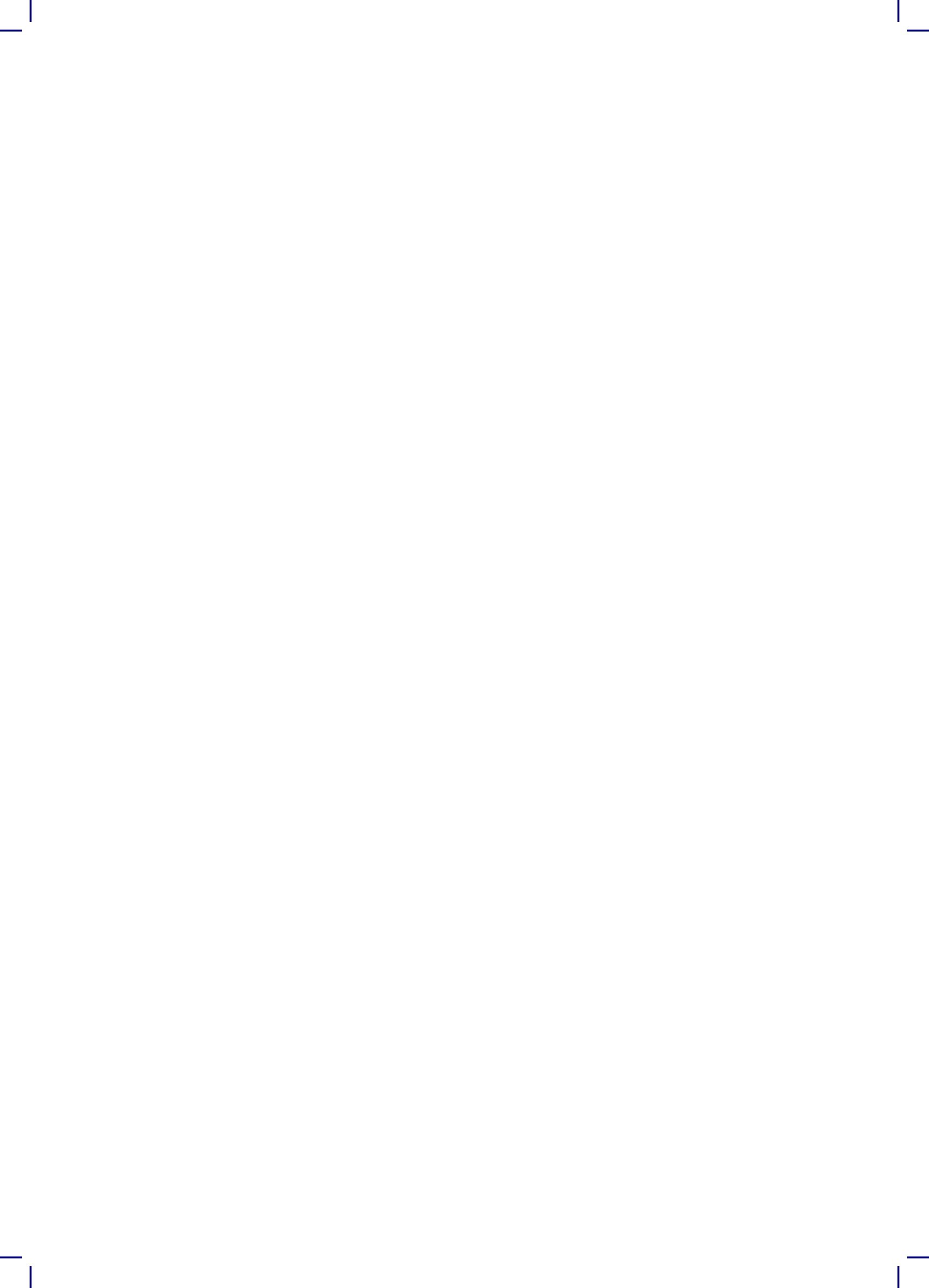
Problem	Solution
The robot is moving in circles or does not reach all areas of the pool.	<ol style="list-style-type: none"> 1. Check that no foreign objects are blocking the moving parts. 2. Make sure the filter cartridge is clean and well-mounted and that the filter doors are closed. 3. Before using the robot at the beginning of the season, brush any algae from the floor and walls of the pool.
The robot is not moving sideways on walls.	Adjust the diagonal angle of the handle.
The robot does not climb walls.	<ol style="list-style-type: none"> 1. Clean the filter cartridges. 2. If this is the beginning of the season, use the spring cartridge. 3. Check if brushes are worn and replace them if necessary. 4. Make sure the impeller area is clean. 5. Check that the remote control is set for climbing.
Dolphin is not sinking.	If using Wonder brushes or the combined brushes make sure they are soaked in water.
Remote control unit is not working.	Check if the batteries need to be replaced.
The robot stops working before completing the cleaning cycle.	<ol style="list-style-type: none"> 1. Check if the impeller is blocked. 2. Check if the drive system is blocked. 3. The battery may be empty; charge the robot. <p>If none of the above help, please contact your dealer.</p>
The "No connection" LEDs are lit when charging.	Check that the charging cable is connected properly and that the connectors are dry. Wait 10 seconds and try again.
The green light on the float remains on after the robot has finished a cleaning cycle.	The charging contacts on the float are wet. Dry the contacts before charging.
When the on button on the float is pressed the robot does not begin to work and the red LED flashes.	The battery is empty. Recharge the battery.

11. CADDY ASSEMBLY INSTRUCTIONS









Dolphin Liberty