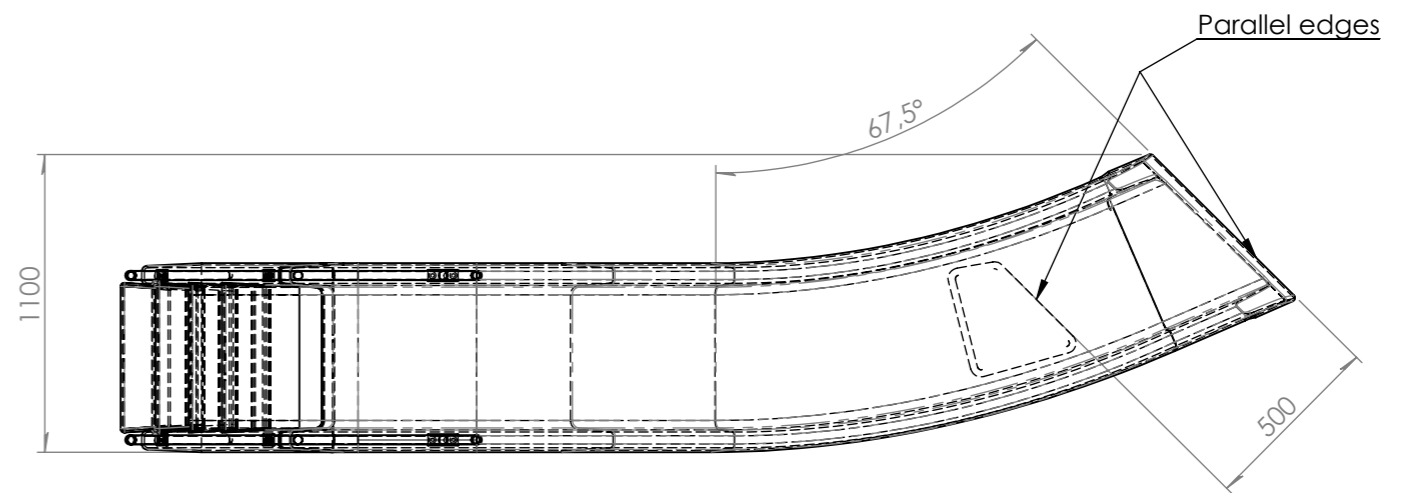
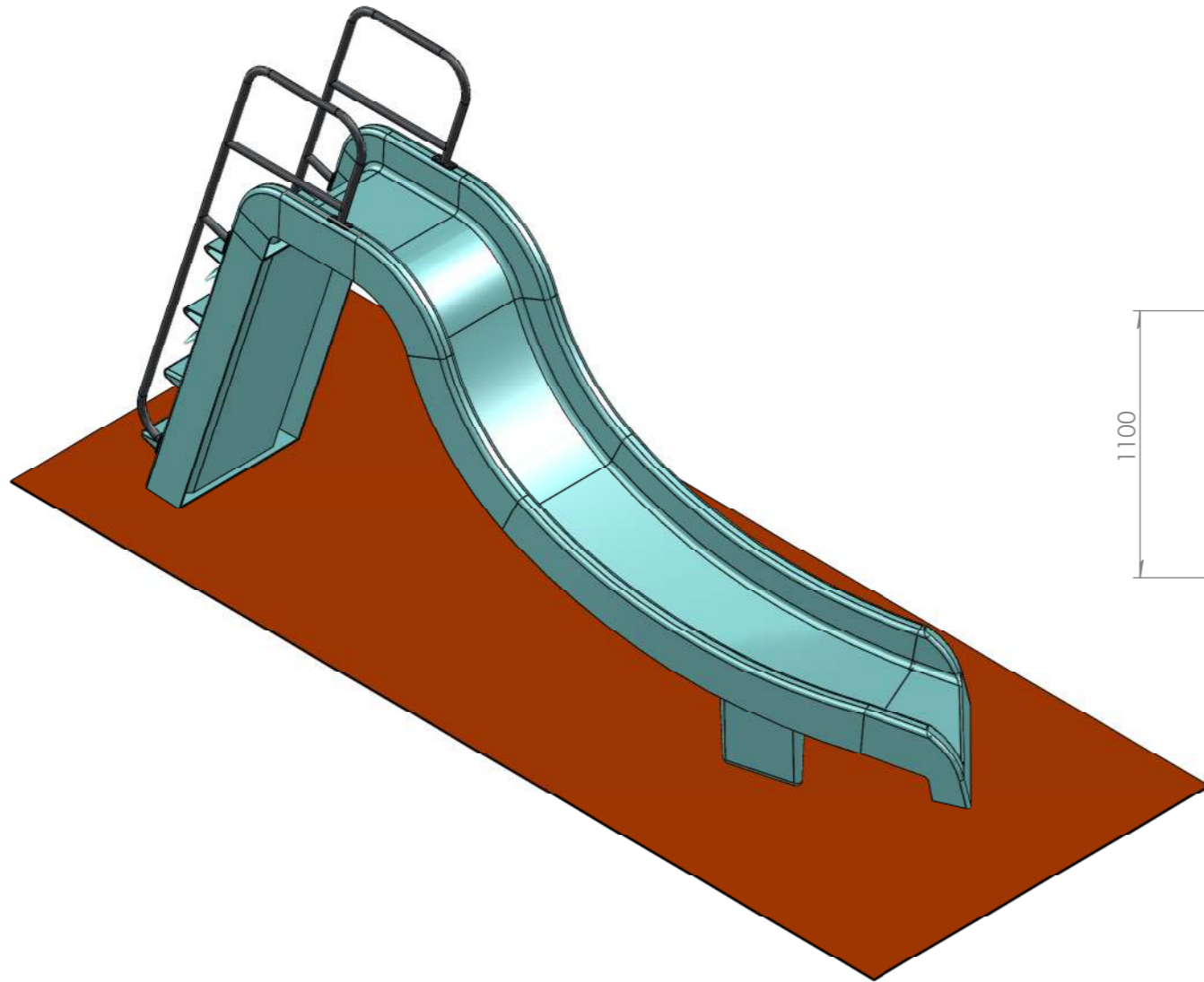
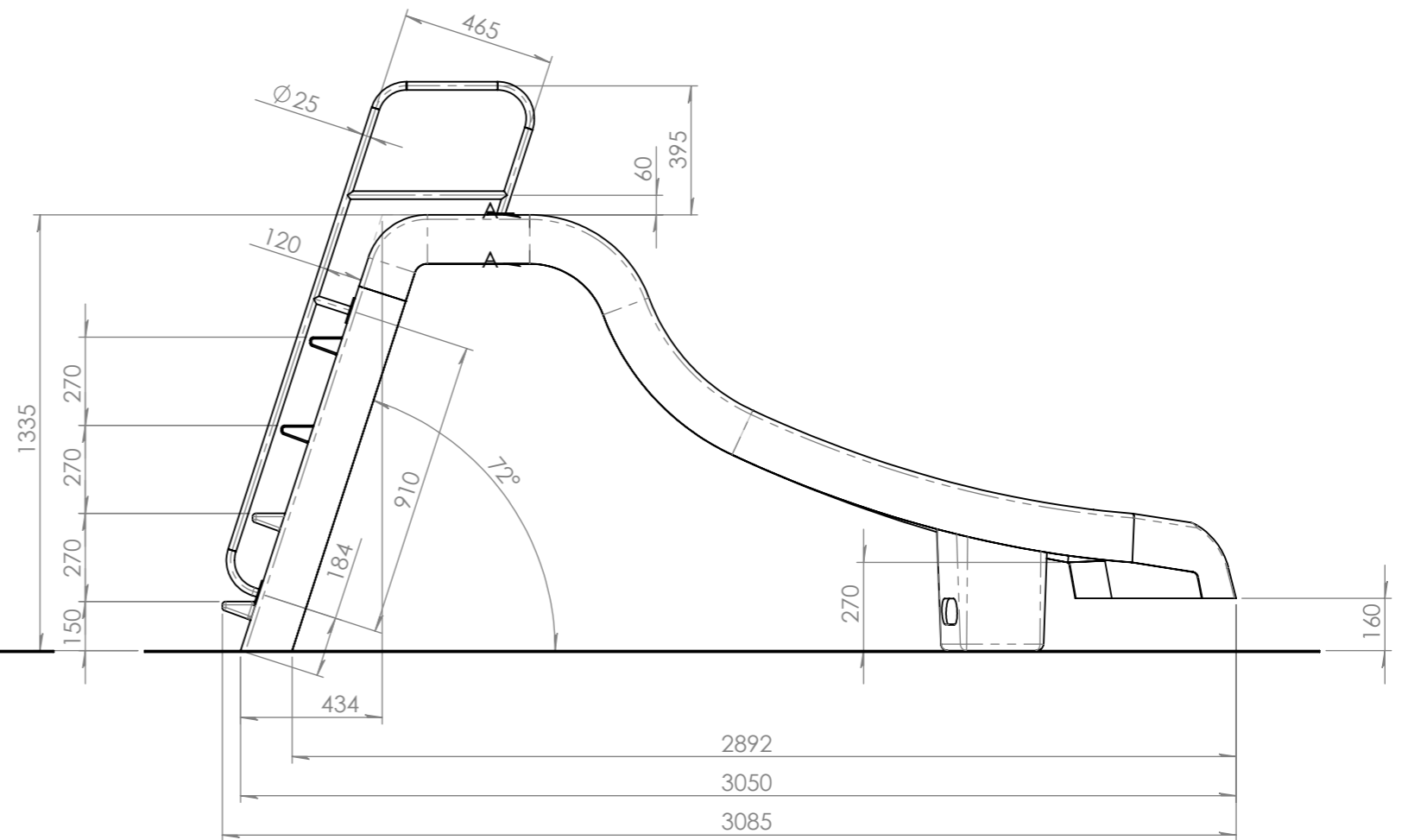
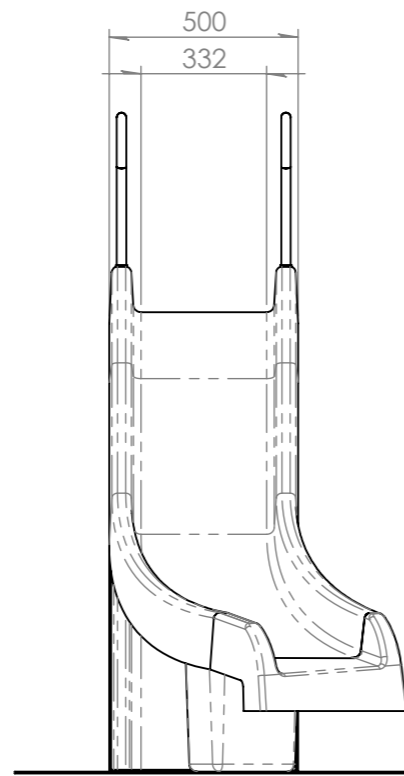
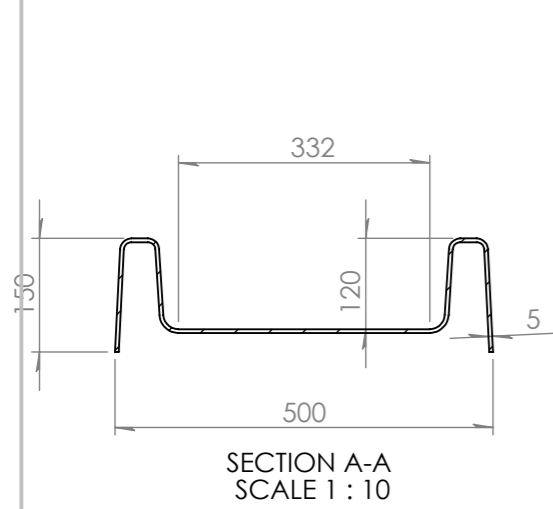


REVISIONS				
ZONE	REV.	DESCRIPTION	DATE	APPROVED



FINISH:		DEBUR AND BREAK SHARP EDGES		DO NOT SCALE DRAWING		REVISION	
DRAWN		SIGNATURE		TITLE:		Welldana A/S	
NAME		DATE		Slide left 45 degrees			
PMJ		30-06-2015		DWG NO.		A3	
CHK'D				Item no.		31-750750	
APPV'D				SCALE:1:20		SHEET 1 OF 1	
MFG				WEIGHT:			
Q.A							