

CALPLAS® PREFILTER - TRANSPARENT LID

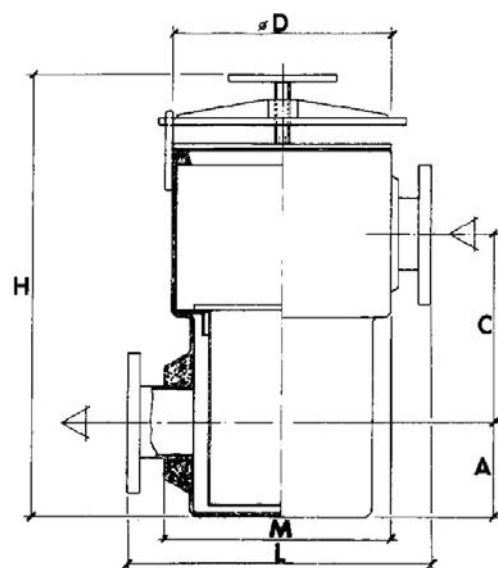
Type	8 l	25 l	60 L
Filter area cm ²	800	1600	3200
Max water flow m ³ /hour	125	225	350
Strainer / basket hole in mm	4	4	4

Dimension for strainer/In mm			
A	130	165	260
C	240	330	435
M	330	445	565
L	450	560	710
H (*)	610 (650)	765 (805)	1015 (1055)
D	305	415	530

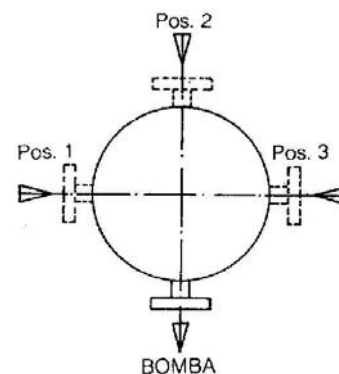
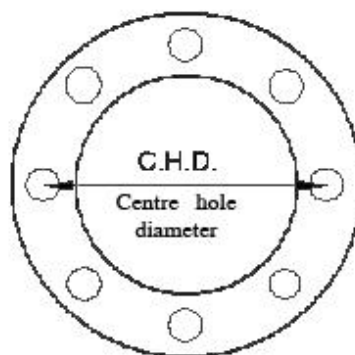
(*) for strainer with clear acrylic lid.

Strainer/basket made in stainless steel AISI 304.

Please specify C.H.D., DN and position of inlet on the strainer.



Dimension in mm		
C.H.D.	DN	PVC pipe size
110	40	50
125	50	65
145	65	75
160	80	90
180	100	110
190	110	125
240	150	160
295	175	200
295	200	225
350	225	250
400	300	315
500	345	400



Spare part	Spare part number			
Size	4 l	8 l	25 l	60 l
O-ring for lid	49-421104	49-421108	49-421125	49-421160
Handle for lid	49-420500	49-420500	49-420500	49-420500