

Table duct



Product information

Characteristics

- BSP male thread
- Straight BSP male thread

Material

- PVC-U = Unplasticised Polyvinylchloride

Gaskets

- EPDM

Parts



8.11 PVC nut



8.08 PP slipping

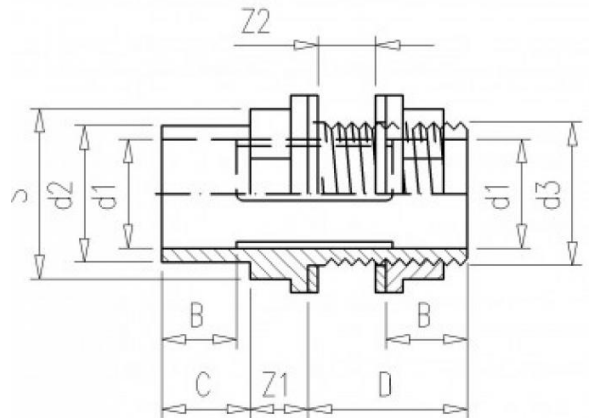


8.05 Rubber washer for table duct

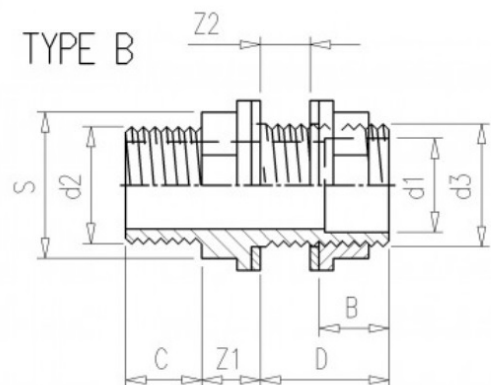


8.35 Rubber washer for table duct

TYPE A



TYPE B



d1	d2	d3	Z1	Z2	B	C	D	S	Type	Verp
63	2 1/2" (M)	2 1/2 (M)	23	0-23	38	31	53	85	B	24

Available items

d1	d2	d3	Z1	Z2	B	C	D	S	Type	Verp
50	63	2 (M)	21	0-21	31	38	52	69	A	45
50	63	2 1/4 (M)	21	0-21	31	38	52	76	A	45
63	75	2 1/2 (M)	23	0-23	38	44	53	85	A	24
63	2 1/2" (M)	2 1/2 (M)	23	0-23	38	31	53	85	B	24