

# VENTURA

**EN**

## Instructions for Installation of Ventura-sauna interior

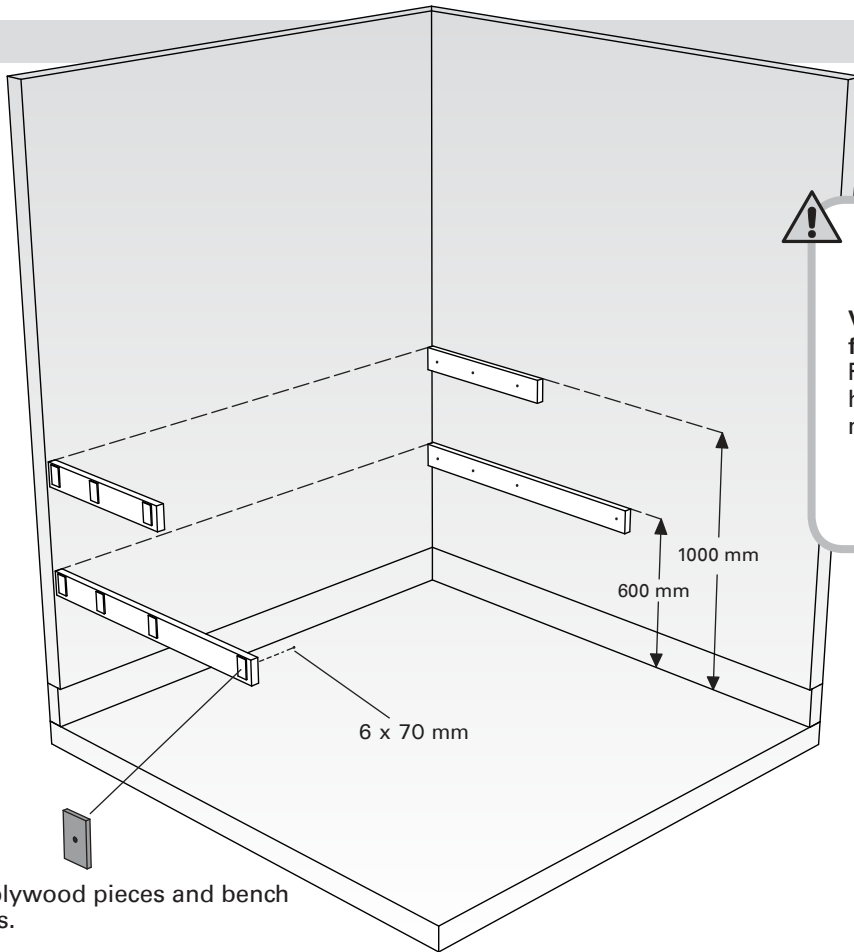
- Read also *general instructions of installation*
- Verify bench height from your sauna plan. Regular bench heights have been used in this manual.



# VENTURA

## Installation of straight benches

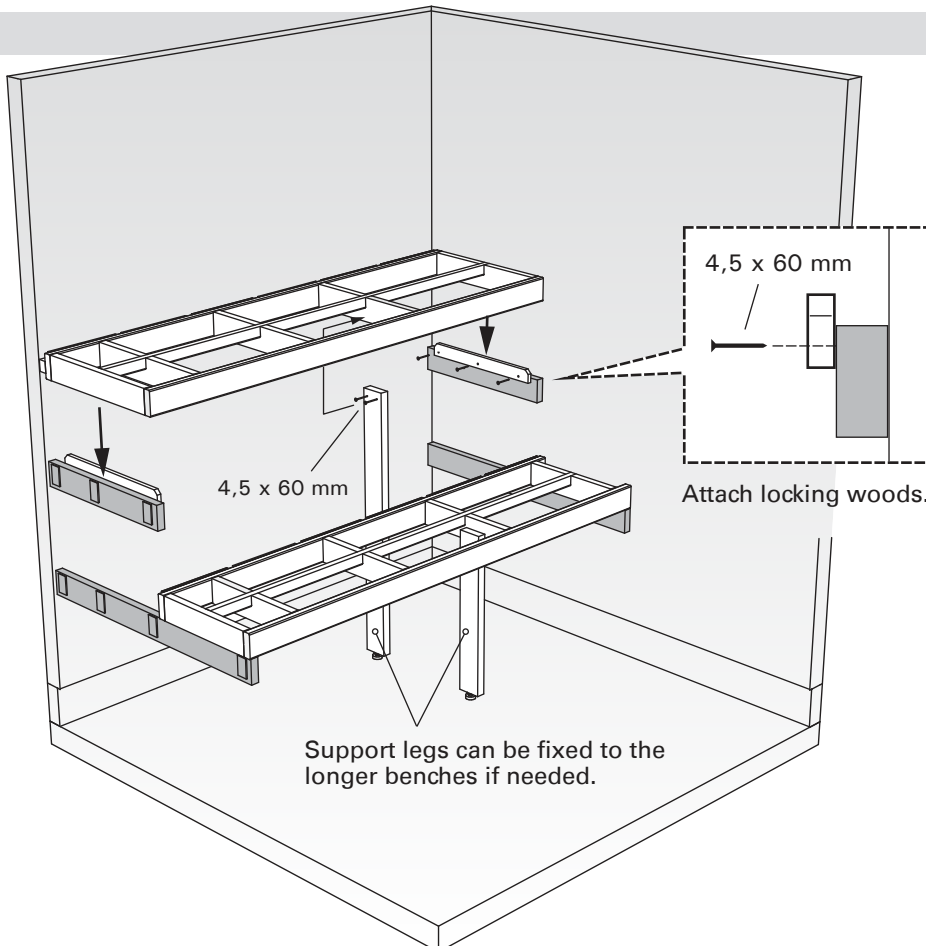
1.



**Verify bench height from your sauna plan. Regular bench heights have been used in this manual.**

Attach plywood pieces and bench supports.

2.



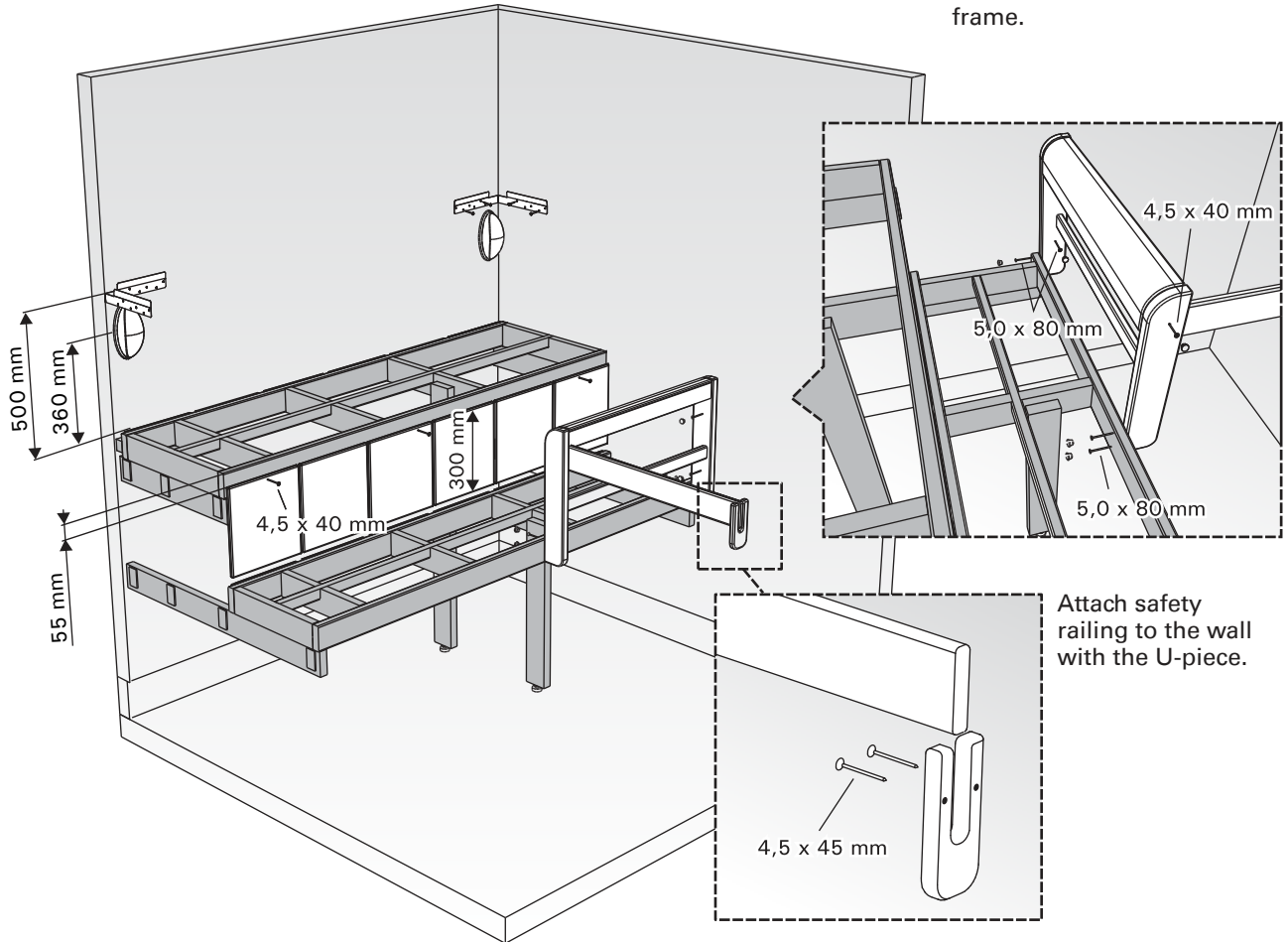
Attach locking woods.

Support legs can be fixed to the longer benches if needed.

### 3.

Attach sheet metal brackets for the lamp shades.

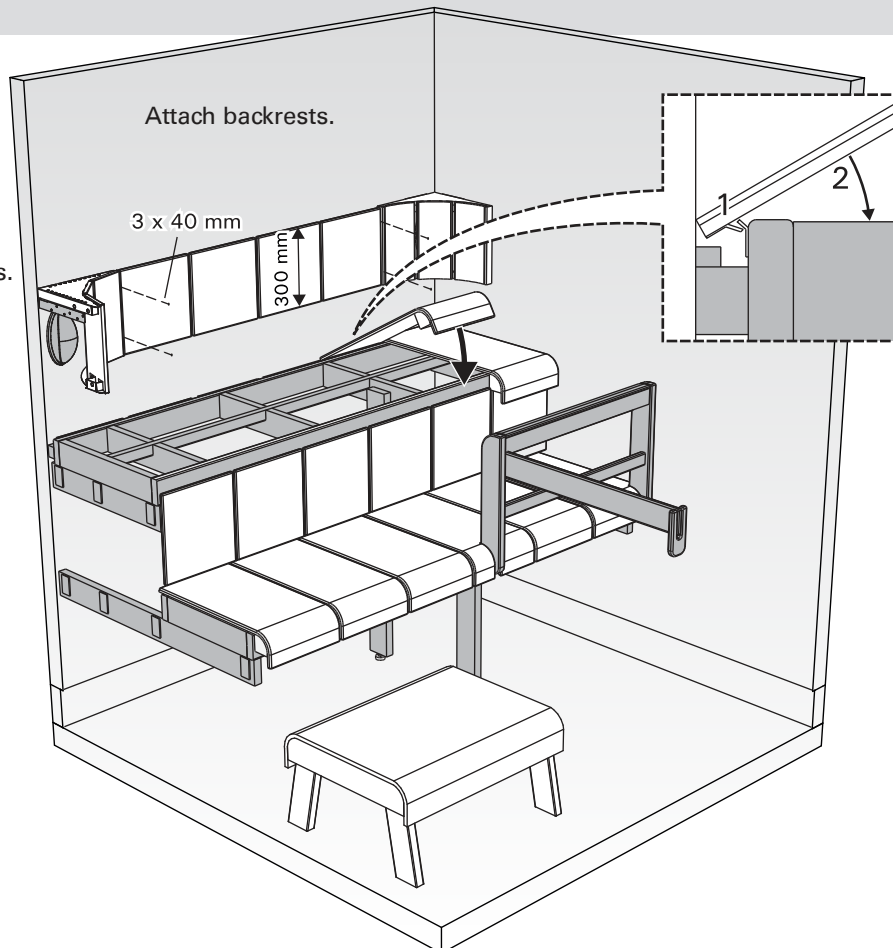
Attach footrest to the bench frame.



### 4.

Lift shades to the sheet metal brackets.

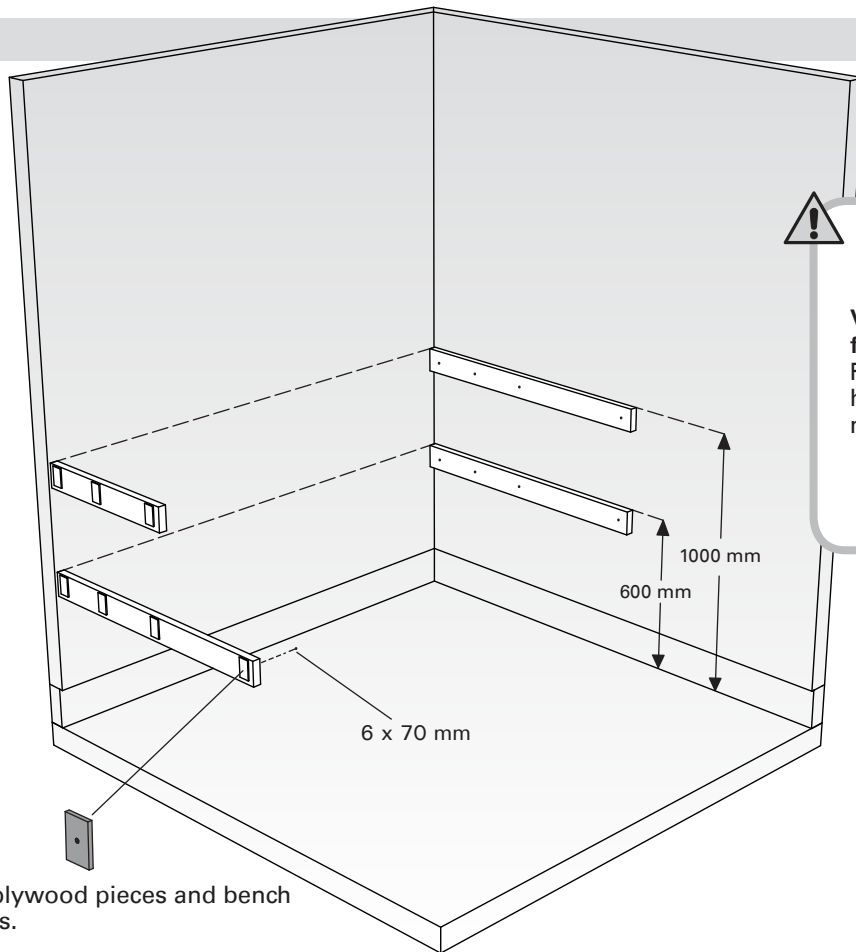
Attach backrests.



# VENTURA

## Installation of the end support benches

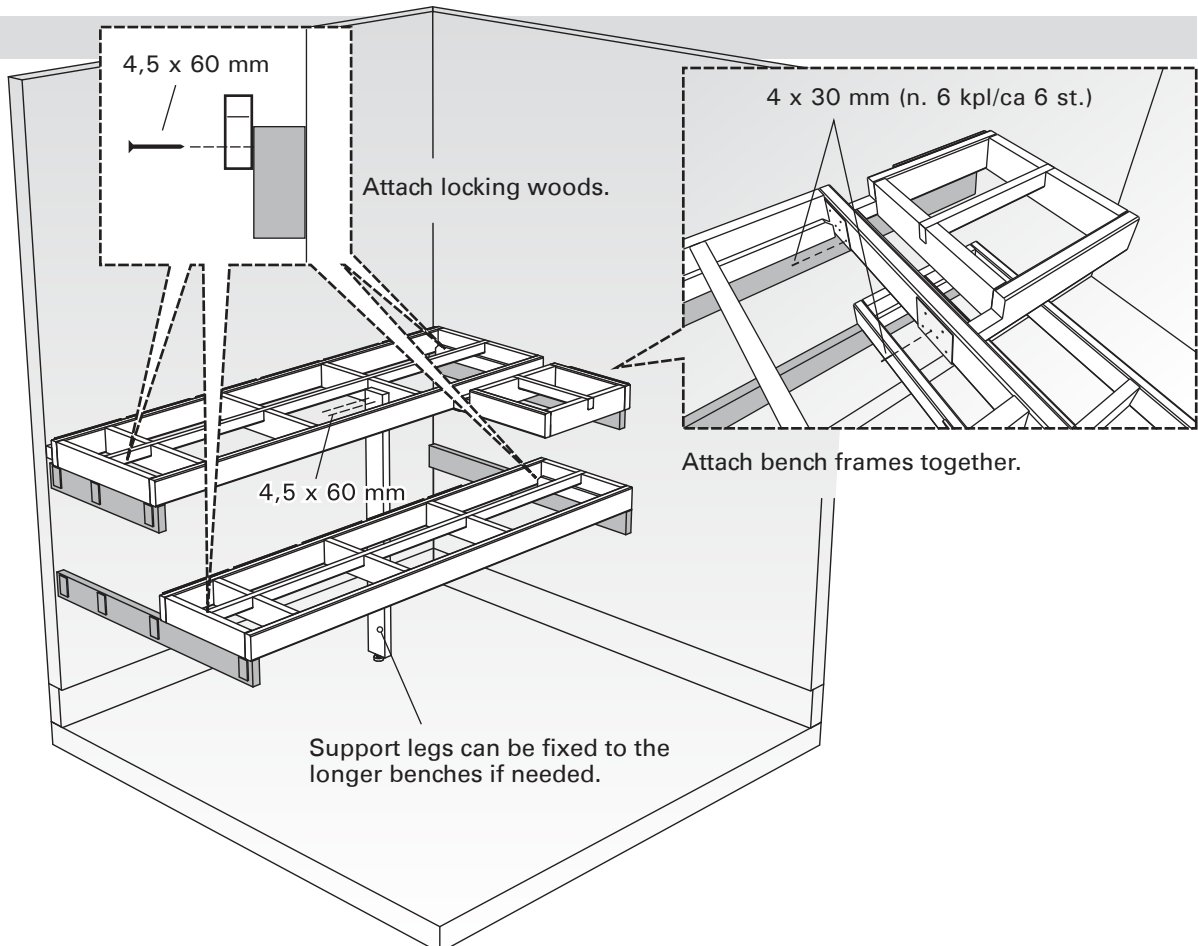
1.



**Verify bench height from your sauna plan. Regular bench heights have been used in this manual.**

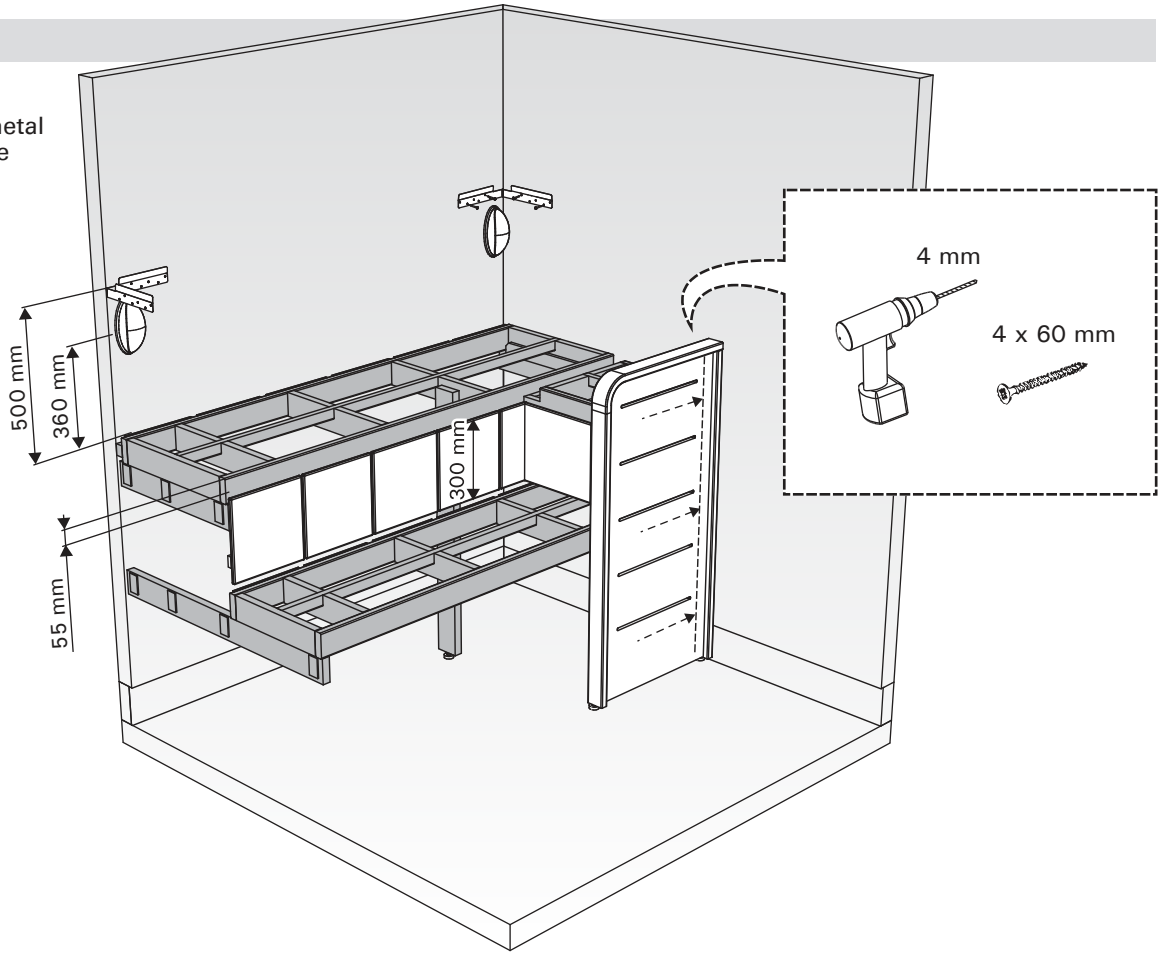
Attach plywood pieces and bench supports.

2.



3.

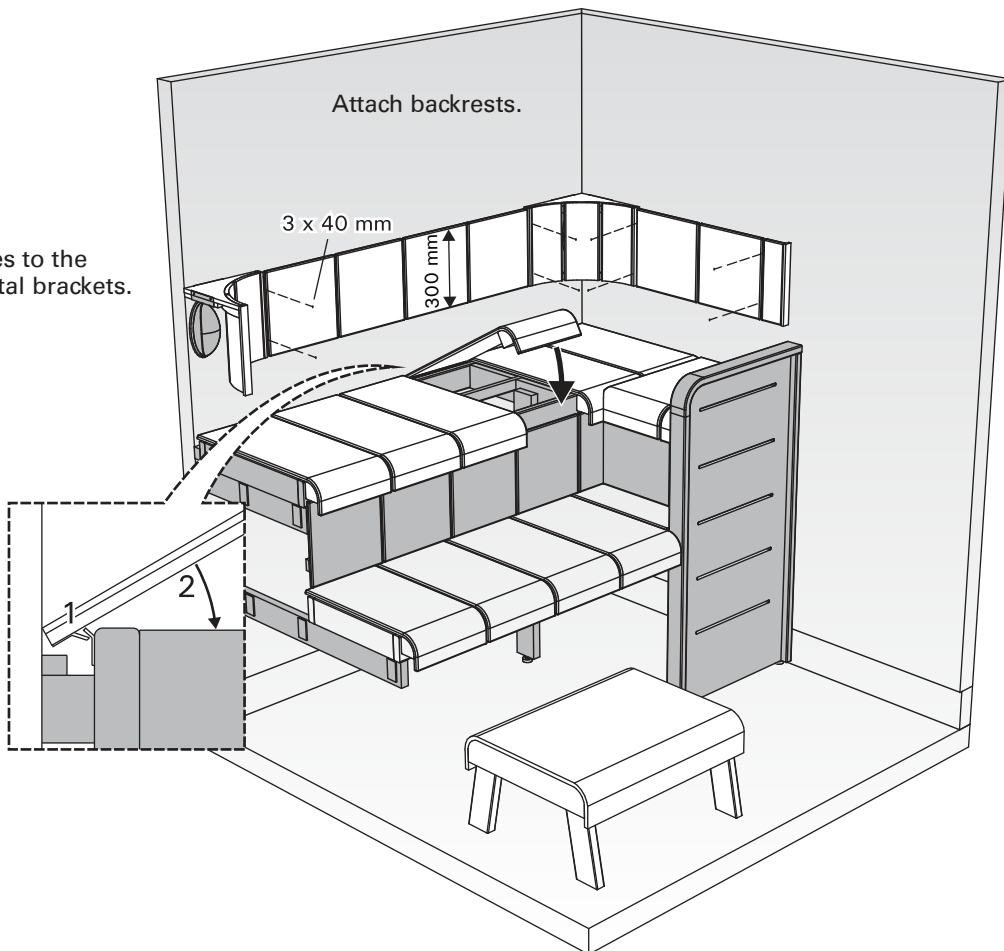
Attach sheet metal brackets for the lamp shades.



4.

Attach backrests.

Lift shades to the sheet metal brackets.







***HARVIA***

Harvia Sauna  
PL38  
40951 Muurame  
Finland  
[www.harviasauna.com](http://www.harviasauna.com)