

INSTALLATION GUIDE: CELL AND FLOW SWITCH

To guarantee safety of all the installations, the mechanical flow switch is added to the gas detector. All our control boxes are now equipped with 2 security features to stop chlorine production and injection of chemicals if there is no flow in the piping system.

Please follow the installation instructions for the cell and for the mechanical flow switch.

This box contains: 1 PVC cell mount, 1 salt chlorination cell, 1 threaded nut, 1 mount with 3/4" hole, 1 mechanical flow switch with 1.5m of cable, 1x 3/4" fitting and 1x 3/4" O-ring.

Installation and connection of the cell (see diagram no. 1):

- Install the cell mount vertically (if the cell is installed horizontally, see the remarks).
- Install the cell in a bypass.
- Install the cell at the highest point of the piping system.
- Connect the power cable and the gas detector cable to the control box (see diagram no. 2).

Installation and connection of the mechanical flow switch (see diagram no. 1):

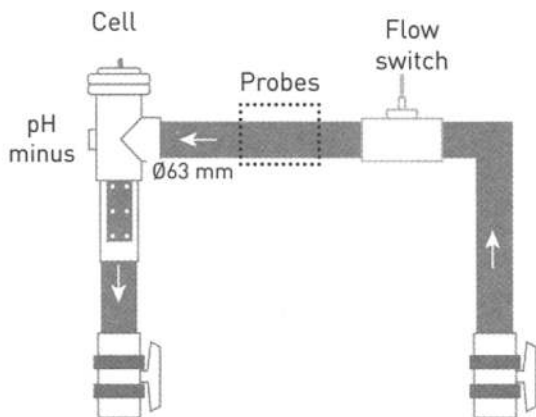
- Install the flow switch mount (part A) before the cell and on the bypass.
- Unscrew the white protective cover of the mechanical flow switch.
- Screw the 3/4" fitting onto the flow switch.
- Put the 3/4" O-ring supplied with the kit in place.
- Screw the flow switch onto its mount.
- Connect the red and black cable to the electronic circuit board (see diagram no. 3).

Remarks:

- The control box has already been programmed in the factory to operate using the 2 security features.
- Connect either the red or the black cable.
- If the cell is installed horizontally, please contact your distributor to cancel the gas detector security feature in the control box.

OVERALL INSTALLATION

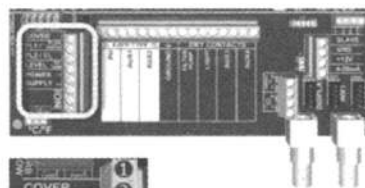
Diagram no. 1



CONNECTING THE DETECTOR TO THE ELECTRONIC CIRCUIT BOARD

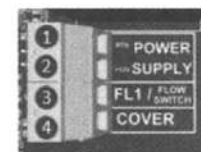
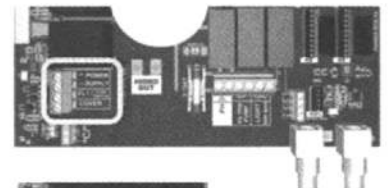
Diagram no. 3

Electronic circuit board no. 1



Connection of flow detector to terminals 2 and 5

Electronic circuit board no. 2



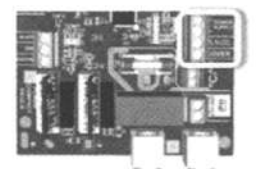
Connection of flow detector to terminals 2 and 3

Electronic circuit board no. 3



Connection of flow detector to terminals 2 and 3

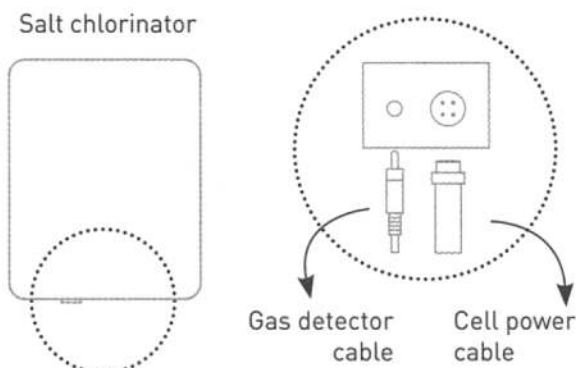
Electronic circuit board no. 4



Connection of flow detector to terminals 1 and 3

CONNECTING CELL TO CONTROL BOX

Diagram no. 2



Only use spare parts supplied by Hayward® brands

ENJOY YOUR SWIM IN TOTAL SAFETY!